

SINGER
412U939A,939J,939K

ILLUSTRATED PARTS LIST

FOR SINGER®

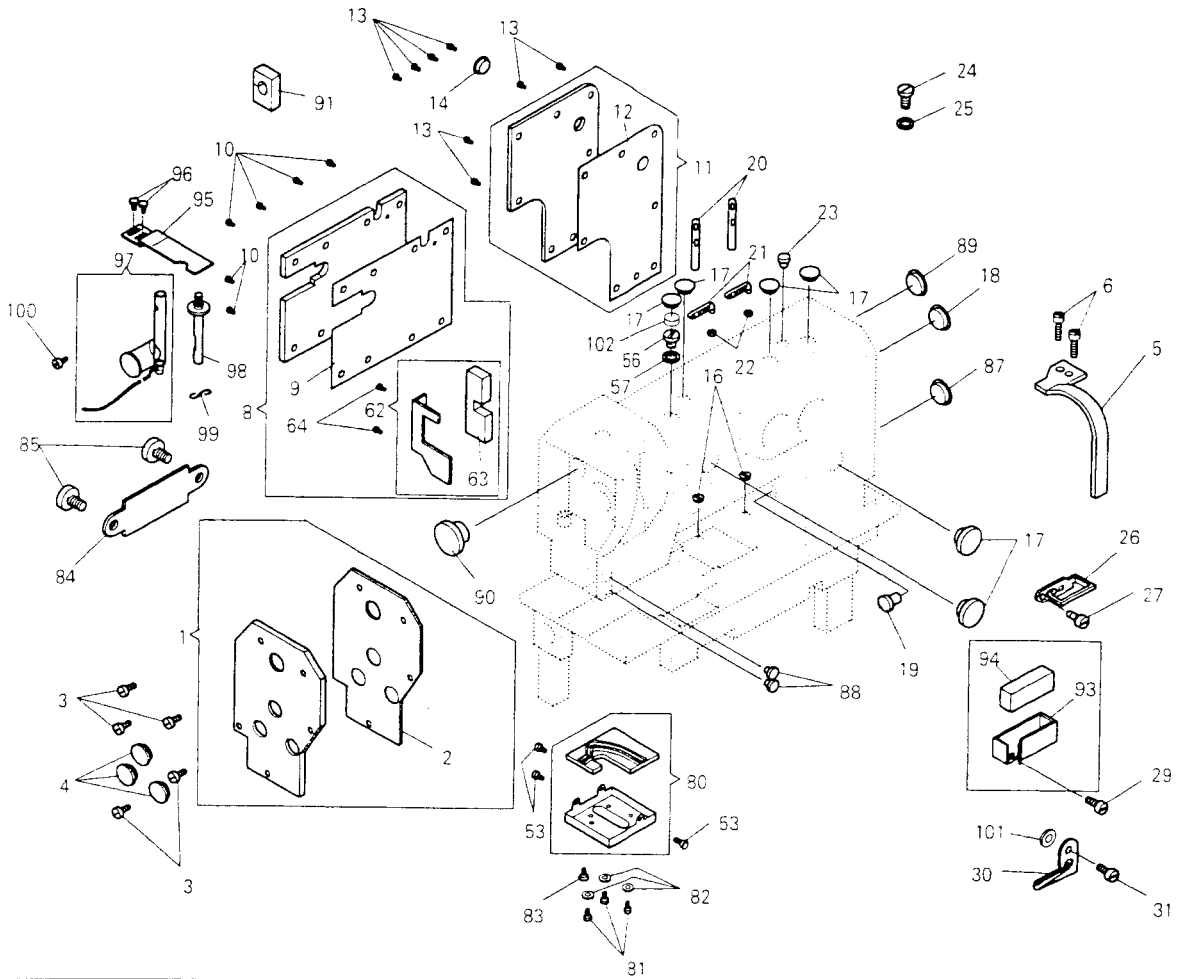
MACHINES

412U 939A
939J
939K

CONTENTS

| | |
|---|----|
| FACE PLATE, ARM SIDE COVER | 1 |
| TAKE-UP LEVER, ARM SHAFT, MACHINE PULLEY | 2 |
| NEEDLE BAR ROCK FRAME | 3 |
| LIFTING MECH 1 | 4 |
| LIFTING MECH 2 | 5 |
| LIFTING MECH 3 | 6 |
| PRESSER BAR LIFTER | 7 |
| FEED MECHANISM (FEED ROCK SHAFT DRIVING FRAME) | 8 |
| FEED REGULATING DIAL, FEED REVERSE LEVER | 9 |
| FEED BAR, FEED DRIVING ROCK SHAFT | 10 |
| HOOK DRIVING SHAFT, HOOK DRIVING SHAFT CONNECTION BELT PULLEY | 11 |
| HOOK SADDLE (RIGHT), HOOK | 12 |
| HOOK SADDLE (LEFT), HOOK | 14 |
| LUBRICATION (PLUNGER PUMP) | 16 |
| LUBRICATION (OIL RESERVOIR) | 17 |
| LUBRICATION (BED AREA) | 18 |
| TENSION | 19 |
| BOBBIN WINDER | 20 |
| THREAD TRIMMER 1 | 21 |
| THREAD TRIMMER 2 | 22 |
| TENSION RELEASING | 23 |
| BACK TACK MECHANISM | 24 |
| BACK TACK SWITCH | 25 |
| GAUGE PARTS | 26 |
| ACCESSORIES AND ATTACHMENTS 1 | 27 |
| ACCESSORIES AND ATTACHMENTS 2 | 28 |
| ACCESSORIES AND ATTACHMENTS 3 | 29 |
| PARTS AVAILABLE AT EXTRA CHARGE | 30 |

FACE PLATE, ARM SIDE COVER

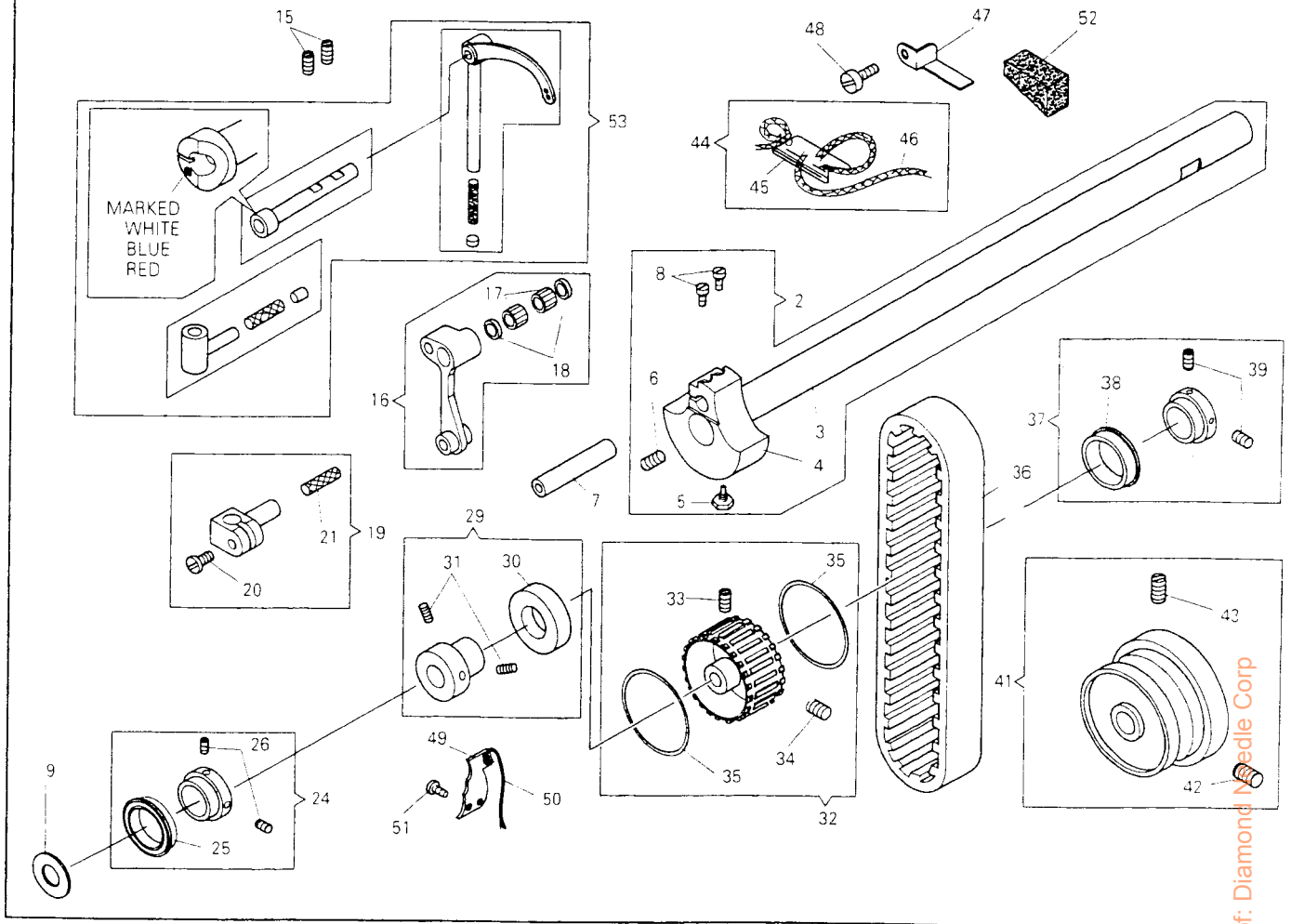


| NO | PART NO. | 939A | 939J | 939K | QTY | DESCRIPTION |
|----|------------|------|------|------|-----|--|
| 1 | 554773-467 | * | * | * | 1 | FACE PLATE AND FACE PLATE PACKING COMP. |
| 2 | 554309 | * | * | * | 1 | FACE PLATE PACKING |
| 3 | 544217-052 | * | * | * | 5 | FACE PLATE SCREW |
| 4 | 368063 | * | * | * | 3 | FACE PLATE PLUG |
| 5 | 552823-467 | * | * | * | 1 | TAKE-UP LEVER GUARD |
| 6 | 544217-052 | * | * | * | 2 | TAKE-UP LEVER GUARD SCREW |
| 8 | 554840 | * | * | * | 1 | ARM SIDE COVER (SMALL) AND ARM SIDE COVER (SMALL) GASKET COMP. |
| 9 | 554308 | * | * | * | 1 | ARM SIDE COVER (SMALL) GASKET |
| 10 | 544217-052 | * | * | * | 6 | ARM SIDE COVER (SMALL) SCREW |
| 11 | 552867 | * | * | * | 1 | ARM SIDE COVER (LARGE) AND ARM SIDE COVER (LARGE) GASKET COMP. |
| 12 | 554310 | * | * | * | 1 | ARM SIDE COVER (LARGE) PACKING |
| 13 | 544217-052 | * | * | * | 8 | ARM SIDE COVER (LARGE) SCREW |
| 13 | 544217-052 | * | * | * | 7 | ARM SIDE COVER (LARGE) SCREW |
| 13 | 544217-004 | * | * | * | 1 | ARM SIDE COVER (LARGE) SCREW |
| 14 | 368063-392 | * | * | * | 1 | ARM SIDE COVER (LARGE) HOLE PLUG |
| 16 | 549230 | * | * | * | 2 | BED OIL HOLE PLUG |
| 17 | 544875-392 | * | * | * | 6 | ARM HOLE PLUG |
| 18 | 552835 | * | * | * | 1 | ARM HOLE PLUG (BACK) |
| 19 | 508283 | * | * | * | 1 | ARM HOLE PLUG (FEED REVERSE LEVER HINGE STUD HOLE) |
| 20 | 52239 | * | * | * | 2 | THREAD GUIDE STUD |
| 21 | 411092 | * | * | * | 2 | THREAD RETAINER (4-HOLES) |
| 22 | 541180 | * | * | * | 2 | THREAD RETAINER (4-HOLES) NUT |
| 23 | 375014-452 | * | * | * | 1 | ARM HOLE PLUG (SMALL) |
| 24 | 544212-003 | * | * | * | 1 | EARTH WIRE SCREW |
| 25 | 543803-003 | * | * | * | 1 | EARTH WIRE SCREW WASHER |
| 26 | 552415 | * | * | * | 1 | THREAD GUIDE (UPPER) |
| 27 | 544347 | * | * | * | 1 | THREAD GUIDE (UPPER) SCREW |
| 29 | 504063-451 | * | * | * | 1 | THREAD LUBRICATOR OIL PAD HOLDER SCREW |
| 30 | 224040 | * | * | * | 1 | THREAD GUIDE (LOWER) |
| 31 | 544347 | * | * | * | 1 | THREAD GUIDE (LOWER) SCREW |
| 53 | 544217-051 | * | * | * | 3 | NEEDLE BAR ROCK FRAME COVER SCREW |

| NO | PART NO. | 939A | 939J | 939K | QTY | DESCRIPTION |
|-----|------------|------|------|------|-----|--|
| 56 | 545036 | * | * | * | 1 | TAKE-UP LEVER OIL HOLE CAP SCREW |
| 57 | 545754 | * | * | * | 1 | TAKE-UP LEVER OIL HOLE CAP SCREW PACKING |
| 62 | 554841 | * | * | * | 1 | ARM SIDE COVER (SMALL) OIL GUARD COMP. |
| 63 | 554843 | * | * | * | 1 | ARM SIDE COVER (SMALL) OIL GUARD OIL SEAL |
| 64 | 544211-002 | * | * | * | 2 | ARM SIDE COVER (SMALL) OIL GUARD SCREW |
| 80 | 554875 | * | * | * | 1 | NEEDLE BAR ROCK FRAME COVER PACKING COMP. |
| 81 | 374497-001 | * | * | * | 3 | NEEDLE BAR ROCK FRAME COVER SCREW |
| 82 | 548054 | * | * | * | 3 | NEEDLE BAR ROCK FRAME COVER SCREW WASHER |
| 83 | 374583-002 | * | * | * | 1 | NEEDLE BAR ROCK FRAME COVER SCREW |
| 84 | 554640 | * | * | * | 1 | ARM SIDE COVER |
| 85 | 544217-052 | * | * | * | 2 | ARM SIDE COVER SCREW |
| 87 | 502760 | * | * | * | 1 | ARM HOLE PLUG (FEED REGULATOR SHAFT HOLE) |
| 88 | 554873 | * | * | * | 2 | ARM HOLE PLUG |
| 89 | 550011 | * | * | * | 1 | ARM HOLE PLUG |
| 90 | 544886-452 | * | * | * | 1 | ARM HOLE PLUG |
| 91 | 554881 | * | * | * | 1 | ARM OIL SEAL |
| 93 | 412476 | * | * | * | 1 | THREAD LUBRICATOR OIL PAD HOLDER |
| 94 | 412479 | * | * | * | 1 | THREAD LUBRICATOR OIL PAD |
| 95 | 554737 | * | * | * | 1 | THREAD LUBRICATING REGULATOR SPRING |
| 96 | 544212-051 | * | * | * | 2 | THREAD LUBRICATING REGULATOR SPRING SCREW |
| 97 | 554739 | * | * | * | 1 | THREAD LUBRICATING RESERVOIR COMP. |
| 98 | 514072 | * | * | * | 1 | THREAD LUBRICATING RESERVOIR STUD |
| 99 | 554848 | * | * | * | 1 | THREAD LUBRICATING RESERVOIR OIL TUBE RETAINER |
| 100 | 374119 | * | * | * | 1 | THREAD LUBRICATING RESERVOIR SCREW |
| 101 | 543875-005 | * | * | * | 1 | THREAD GUIDE LOWER SPACER |
| 102 | 204329 | * | * | * | 1 | TAKE-UP LEVER OIL PAD (FEED) |

The library of: Diamond Needle Corp

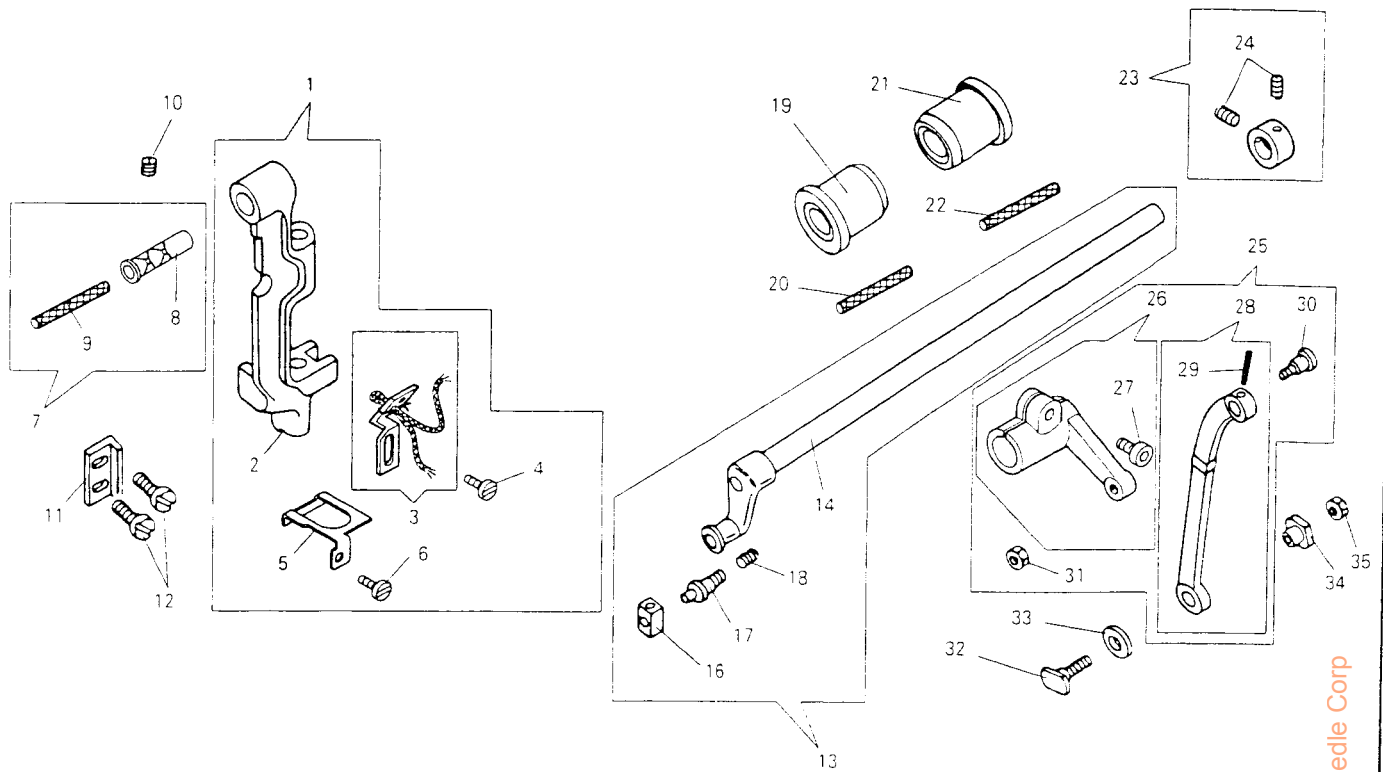
TAKE-UP LEVER, ARM SHAFT, MACHINE PULLEY



| NO. | PART NO. | 939A | 939J | 939K | QTY | DESCRIPTION |
|-----|------------|------|------|------|-----|---|
| 2 | 554815 | * | * | * | 1 | ARM SHAFT NEEDLE BAR CRANK COMP |
| 3 | 554323 | * | * | * | 1 | ARM SHAFT |
| 4 | 554816 | * | * | * | 1 | NEEDLE BAR CRANK |
| 5 | 374100 | * | * | * | 1 | NEEDLE BAR CRANK POSITION SCREW |
| 6 | 504095 | * | * | * | 1 | NEEDLE BAR CRANK SET SCREW |
| 7 | 554693 | * | * | * | 1 | NEEDLE BAR CONNECTING LINK STUD |
| 8 | 544448 | * | * | * | 2 | NEEDLE BAR CONNECTING LINK STUD PINCH SCREW |
| 9 | 554325 | * | * | * | 1 | NEEDLE BAR CRANK FRICTION WASHER |
| 15 | 544209-006 | * | * | * | 2 | TAKE-UP LEVER HINGE STUD SET SCREW |
| 16 | 554588 | * | * | * | 1 | NEEDLE BAR CONNECTING LINK COMP |
| 17 | 502964 | * | * | * | 2 | NEEDLE BAR CONNECTING LINK BEARING |
| 18 | 554329 | * | * | * | 2 | NEEDLE BAR CONNECTING LINK BEARING RETAINING RING |
| 19 | 554522 | * | * | * | 1 | NEEDLE BAR CONNECTING STUD COMP |
| 20 | 545071 | * | * | * | 1 | NEEDLE BAR CONNECTING STUD PINCH SCREW |
| 21 | 202330 | * | * | * | 1 | NEEDLE BAR CONNECTING STUD OIL WICK |
| 24 | 554334 | * | * | * | 1 | ARM SHAFT BALL BEARING (FRONT) COMP |
| 25 | 554335 | * | * | * | 1 | ARM SHAFT BALL BEARING (FRONT) |
| 26 | 544209-005 | * | * | * | 2 | ARM SHAFT BALL BEARING (INSIDE COLLAR) SET SCREW |
| 29 | 554834 | * | * | * | 1 | ARM SHAFT BALL BEARING (MIDDLE) COMP |
| 30 | 554835 | * | * | * | 1 | ARM SHAFT BALL BEARING (MIDDLE) |
| 31 | 544209-005 | * | * | * | 2 | ARM SHAFT BALL BEARING (INSIDE COLLAR) SET SCREW |
| 32 | 554336 | * | * | * | 1 | ARM SHAFT CONNECTION BELT PULLEY COMP |
| 33 | 544322 | * | * | * | 1 | ARM SHAFT CONNECTION BELT PULLEY SET SCREW |
| 34 | 555036 | * | * | * | 1 | ARM SHAFT CONNECTION BELT PULLEY POSITION SCREW |
| 35 | 202253 | * | * | * | 2 | ARM SHAFT CONNECTION BELT PULLEY SPRING FLANGE |
| 36 | 267161 | * | * | * | 1 | ARM SHAFT CONNECTION BELT |
| 37 | 554783 | * | * | * | 1 | ARM SHAFT BALL BEARING (BACK) COMP |

| NO. | PART NO. | 939A | 939J | 939K | QTY | DESCRIPTION |
|-----|------------|------|------|------|-----|---|
| 38 | 554784 | * | * | * | 1 | ARM SHAFT BALL BEARING (BACK) |
| 39 | 544209-005 | * | * | * | 2 | ARM SHAFT BALL BEARING (INSIDE COLLAR) SET SCREW |
| 41 | 554656-383 | * | * | * | 1 | MACHINE PULLEY COMP |
| 42 | 141566 | * | * | * | 1 | MACHINE PULLEY POSITION SCREW |
| 43 | 141567-833 | * | * | * | 1 | MACHINE PULLEY SET SCREW |
| 44 | 554882 | * | * | * | 1 | TAKE-UP LEVER OIL FELT WICK COMP |
| 45 | 552899 | * | * | * | 1 | TAKE-UP LEVER OIL FELT |
| 46 | 554465-006 | * | * | * | 1 | TAKE-UP LEVER OIL FELT WICK |
| 47 | 554800 | * | * | * | 1 | TAKE-UP LEVER OIL FELT RETAINER |
| 48 | 544213-052 | * | * | * | 1 | TAKE-UP LEVER OIL FELT RETAINER SCREW |
| 49 | 554341 | * | * | * | 1 | TAKE-UP LEVER OIL GUARD |
| 50 | 555055 | * | * | * | 1 | TAKE-UP LEVER OIL GUARD OIL WICK |
| 51 | 545114 | * | * | * | 1 | TAKE-UP LEVER OIL GUARD SCREW |
| 52 | 554720 | * | * | * | 1 | TAKE-UP LEVER OIL FELT PAD |
| 53 | 554969-000 | * | * | * | 1 | TAKE-UP LEVER, TAKE-UP LEVER DRIVING STUD, TAKE-UP LEVER HINGE STUD COMP. - 001 (MARKED WHITE) - 002 (MARKED BLUE) - 003 (MARKED RED) |

NEEDLE BAR ROCK FRAME

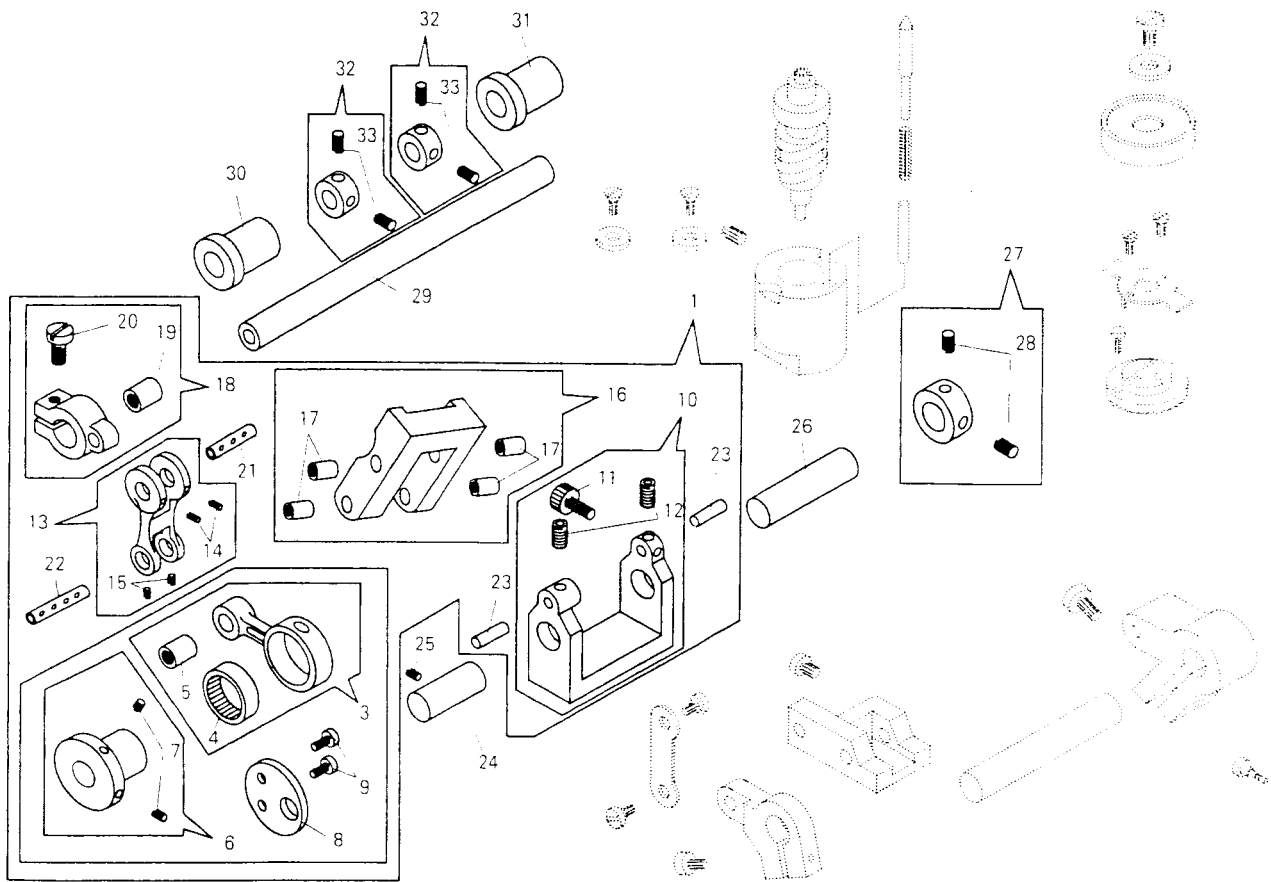


| NO | PART NO. | | | | QTY | DESCRIPTION |
|----|------------|------|------|------|-----|---|
| | | 939A | 939J | 939K | | |
| 1 | 554970 | * | * | * | 1 | NEEDLE BAR ROCK FRAME COMP. |
| 2 | 554930 | * | * | * | 1 | NEEDLE BAR ROCK FRAME |
| 3 | 554718 | * | * | * | 1 | NEEDLE BAR CONNECTING LINK OIL WICK RETAINER COMP. |
| 4 | 545318-452 | * | * | * | 1 | NEEDLE BAR CONNECTING LINK OIL WICK RETAINER SCREW |
| 5 | 552684 | * | * | * | 1 | NEEDLE BAR ROCK FRAME OIL WICK RETAINER |
| 6 | 545318-452 | * | * | * | 1 | NEEDLE BAR ROCK FRAME OIL WICK RETAINER SCREW |
| 7 | 552685 | * | * | * | 1 | NEEDLE BAR ROCK FRAME HINGE STUD COMP. |
| 8 | 552686 | * | * | * | 1 | NEEDLE BAR ROCK FRAME HINGE STUD |
| 9 | 202277 | * | * | * | 1 | NEEDLE BAR ROCK FRAME HINGE STUD OIL WICK |
| 10 | 544209-006 | * | * | * | 1 | NEEDLE BAR ROCK FRAME HINGE STUD SET SCREW |
| 11 | 514044 | * | * | * | 1 | NEEDLE BAR ROCK FRAME POSITION BRACKET |
| 12 | 414508 | * | * | * | 2 | NEEDLE BAR ROCK FRAME POSITION BRACKET SCREW |
| 13 | 552687 | * | * | * | 1 | NEEDLE BAR ROCK FRAME ROCK SHAFT COMP. |
| 14 | 552688 | * | * | * | 1 | NEEDLE BAR ROCK FRAME ROCK SHAFT |
| 16 | 555078 | * | * | * | 1 | NEEDLE BAR ROCK FRAME ROCK SHAFT SLIDE BLOCK |
| 17 | 412085 | * | * | * | 1 | NEEDLE BAR ROCK FRAME ROCK SHAFT SLIDE BLOCK STUD |
| 18 | 544326 | * | * | * | 1 | NEEDLE BAR ROCK FRAME ROCK SHAFT SLIDE BLOCK STUD SET SCREW |
| 19 | 554635 | * | * | * | 1 | NEEDLE BAR ROCK FRAME ROCK SHAFT BUSHING (FRONT) |
| 20 | 554465-002 | * | * | * | 1 | NEEDLE BAR ROCK FRAME ROCK SHAFT BUSHING (FRONT) OIL WICK |
| 21 | 554636 | * | * | * | 1 | NEEDLE BAR ROCK FRAME ROCK SHAFT BUSHING (BACK) |

| NO | PART NO. | | | | QTY | DESCRIPTION |
|----|------------|------|------|------|-----|--|
| | | 939A | 939J | 939K | | |
| 22 | 554465-003 | * | * | * | 1 | NEEDLE BAR ROCK FRAME ROCK SHAFT BUSHING (BACK) OIL WICK |
| 23 | 552443 | * | * | * | 1 | NEEDLE BAR ROCK FRAME ROCK SHAFT COLLAR COMP. |
| 24 | 544204-001 | * | * | * | 2 | NEEDLE BAR ROCK FRAME ROCK SHAFT COLLAR SCREW |
| 25 | 552689 | * | * | * | 1 | NEEDLE BAR ROCK FRAME ROCK SHAFT CRANK CRANK LINK COMP. |
| 26 | 552690 | * | * | * | 1 | NEEDLE BAR ROCK FRAME ROCK SHAFT CRANK COMP. |
| 27 | 374107-004 | * | * | * | 1 | NEEDLE BAR ROCK FRAME ROCK SHAFT CRANK PINCH SCREW |
| 28 | 223693 | * | * | * | 1 | NEEDLE BAR ROCK FRAME ROCK SHAFT CRANK LINK COMP. |
| 29 | 202277 | * | * | * | 1 | NEEDLE BAR ROCK FRAME ROCK SHAFT CRANK LINK OIL WICK |
| 30 | 500243 | * | * | * | 1 | NEEDLE BAR ROCK FRAME ROCK SHAFT CRANK HINGE SCREW |
| 31 | 545443 | * | * | * | 1 | NEEDLE BAR ROCK FRAME ROCK SHAFT CRANK HINGE SCREW LOCK NUT |
| 32 | 374540 | * | * | * | 1 | NEEDLE BAR ROCK FRAME ROCK SHAFT CRANK LINK SLIDE SCREW |
| 33 | 508286 | * | * | * | 1 | NEEDLE BAR ROCK FRAME ROCK SHAFT CRANK LINK SLIDE SCREW SPACER |
| 34 | 374548 | * | * | * | 1 | NEEDLE BAR ROCK FRAME ROCK SHAFT CRANK LINK SLIDE SCREW NUT |
| 35 | 545443 | * | * | * | 1 | NEEDLE BAR ROCK FRAME ROCK SHAFT CRANK LINK SLIDE SCREW LOCK NUT |

From the library of: Diamond Needle Corp

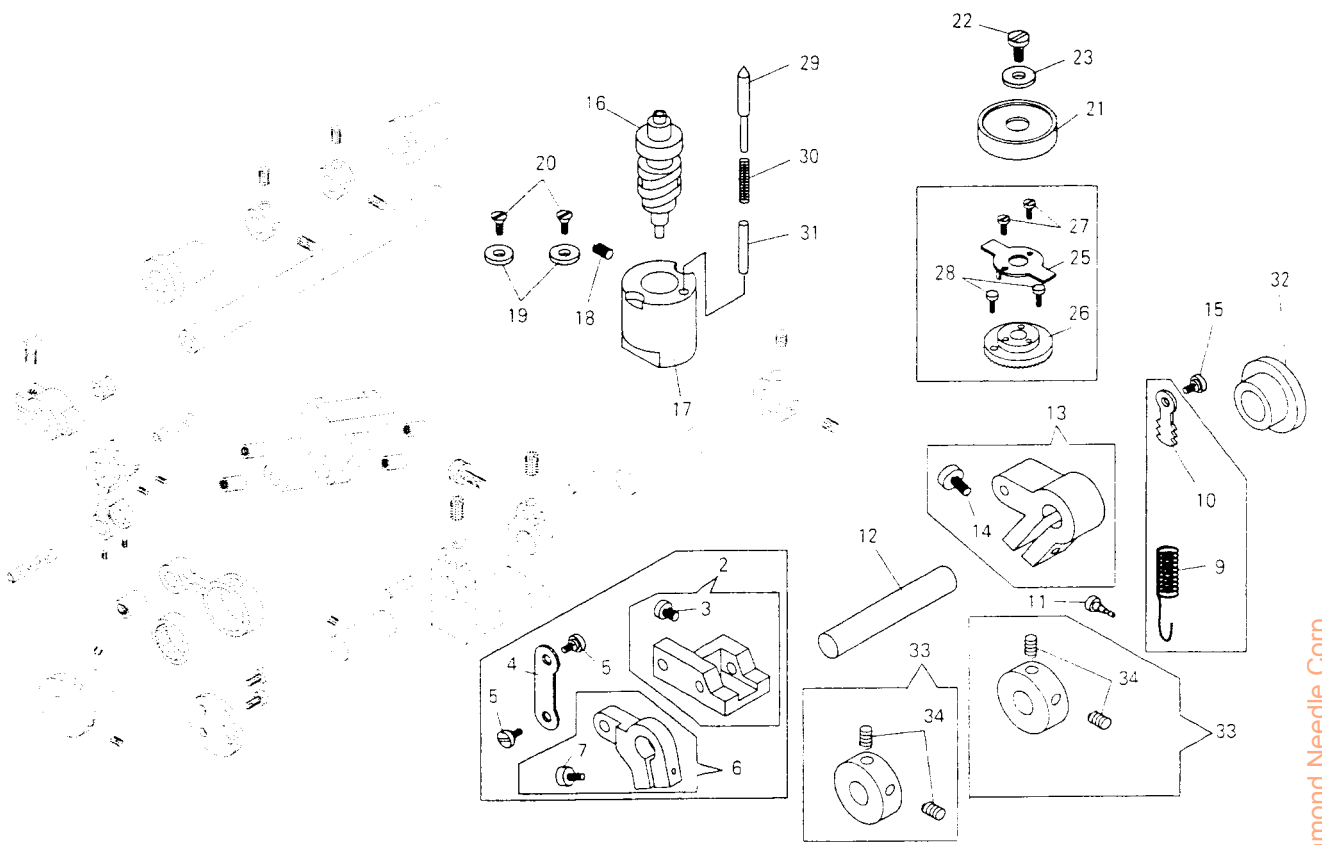
LIFTING MECH 1



| NO | PART NO. | 939A | 939J | 939K | QTY | DESCRIPTION |
|----|------------|------|------|------|-----|---|
| 1 | 552692 | * | * | * | 1 | LIFTING ECCENTRIC LIFTING ECCENTRIC CONNECTION AND LIFTING ROCK SHAFT DRIVING FRAME COMPLETE |
| 3 | 552694 | * | * | * | 1 | LIFTING ECCENTRIC CONNECTION COMPLETE |
| 4 | 268063 | * | * | * | 1 | LIFTING ECCENTRIC CONNECTION BEARING (LARGE) |
| 5 | 554772 | * | * | * | 1 | LIFTING ECCENTRIC CONNECTION BEARING (SMALL) |
| 6 | 552697 | * | * | * | 1 | LIFTING ECCENTRIC COMPLETE |
| 7 | 544209-006 | * | * | * | 2 | LIFTING ECCENTRIC SET SCREW |
| 8 | 552699 | * | * | * | 1 | LIFTING ECCENTRIC CONNECTION BEARING RETAINING |
| 9 | 544212-051 | * | * | * | 2 | LIFTING ECCENTRIC CONNECTION BEARING RETAINING SCREW |
| 10 | 552700 | * | * | * | 1 | LIFTING ROCK SHAFT DRIVING FRAME COMPLETE |
| 11 | 544411 | * | * | * | 1 | LIFTING ROCK SHAFT DRIVING FRAME SHAFT CLAMPING SCREW |
| 12 | 544207-012 | * | * | * | 2 | LIFTING ROCK SHAFT DRIVING FRAME LINK (SHORT) HINGE PIN SET SCREW |
| 13 | 552702 | * | * | * | 1 | LIFTING ROCK SHAFT DRIVING FRAME LINK (LONG) COMPLETE |
| 14 | 376240 | * | * | * | 2 | LIFTING ROCK SHAFT DRIVING FRAME LINK (LONG) PIN (SHORT) SET SCREW |
| 15 | 376240 | * | * | * | 2 | LIFTING ROCK SHAFT DRIVING FRAME LINK (LONG) PIN (LONG) SET SCREW |
| 16 | 552704 | * | * | * | 1 | LIFTING ROCK SHAFT DRIVING FRAME LINK (SHORT) COMPLETE |
| 17 | 554772 | * | * | * | 4 | LIFTING ROCK SHAFT DRIVING FRAME LINK (SHORT) BEARING |
| 18 | 554768 | * | * | * | 1 | LIFTING ROCK SHAFT ARM COMPLETE |
| 19 | 554772 | * | * | * | 1 | LIFTING ROCK SHAFT ARM NEEDLE BEARING |

| NO | PART NO. | 939A | 939J | 939K | QTY | DESCRIPTION |
|----|------------|------|------|------|-----|---|
| 20 | 374026 | * | * | * | 1 | LIFTING ROCK SHAFT ARM SCREW |
| 21 | 552709 | * | * | * | 1 | LIFTING ROCK SHAFT DRIVING FRAME LINK (LONG) PIN (SHORT) |
| 22 | 552710 | * | * | * | 1 | LIFTING ROCK SHAFT DRIVING FRAME LINK (LONG) PIN (LONG) |
| 23 | 552711 | * | * | * | 2 | LIFTING ROCK SHAFT DRIVING FRAME LINK (SHORT) HINGE PIN |
| 24 | 552712 | * | * | * | 1 | LIFTING ROCK SHAFT DRIVING FRAME SHAFT (SHORT) |
| 25 | 544204-002 | * | * | * | 1 | LIFTING ROCK SHAFT DRIVING FRAME SHAFT (SHORT) SET SCREW |
| 26 | 552713 | * | * | * | 1 | LIFTING ROCK SHAFT DRIVING FRAME SHAFT (LONG) |
| 27 | 552719 | * | * | * | 1 | LIFTING ROCK SHAFT DRIVING FRAME SHAFT (LONG) COLLAR COMP |
| 28 | 544207-011 | * | * | * | 2 | LIFTING ROCK SHAFT DRIVING FRAME SHAFT (LONG) COLLAR SET SCREW |
| 29 | 554555 | * | * | * | 1 | LIFTING ROCK SHAFT |
| 30 | 554556 | * | * | * | 1 | LIFTING ROCK SHAFT BUSHING (FRONT) |
| 31 | 554557 | * | * | * | 1 | LIFTING ROCK SHAFT BUSHING (BACK) |
| 32 | 555058 | * | * | * | 2 | LIFTING ROCK SHAFT COLLAR COMPLETE |
| 33 | 154780 | * | * | * | 4 | LIFTING ROCK SHAFT COLLAR SET SCREW |

LIFTING MECH 2

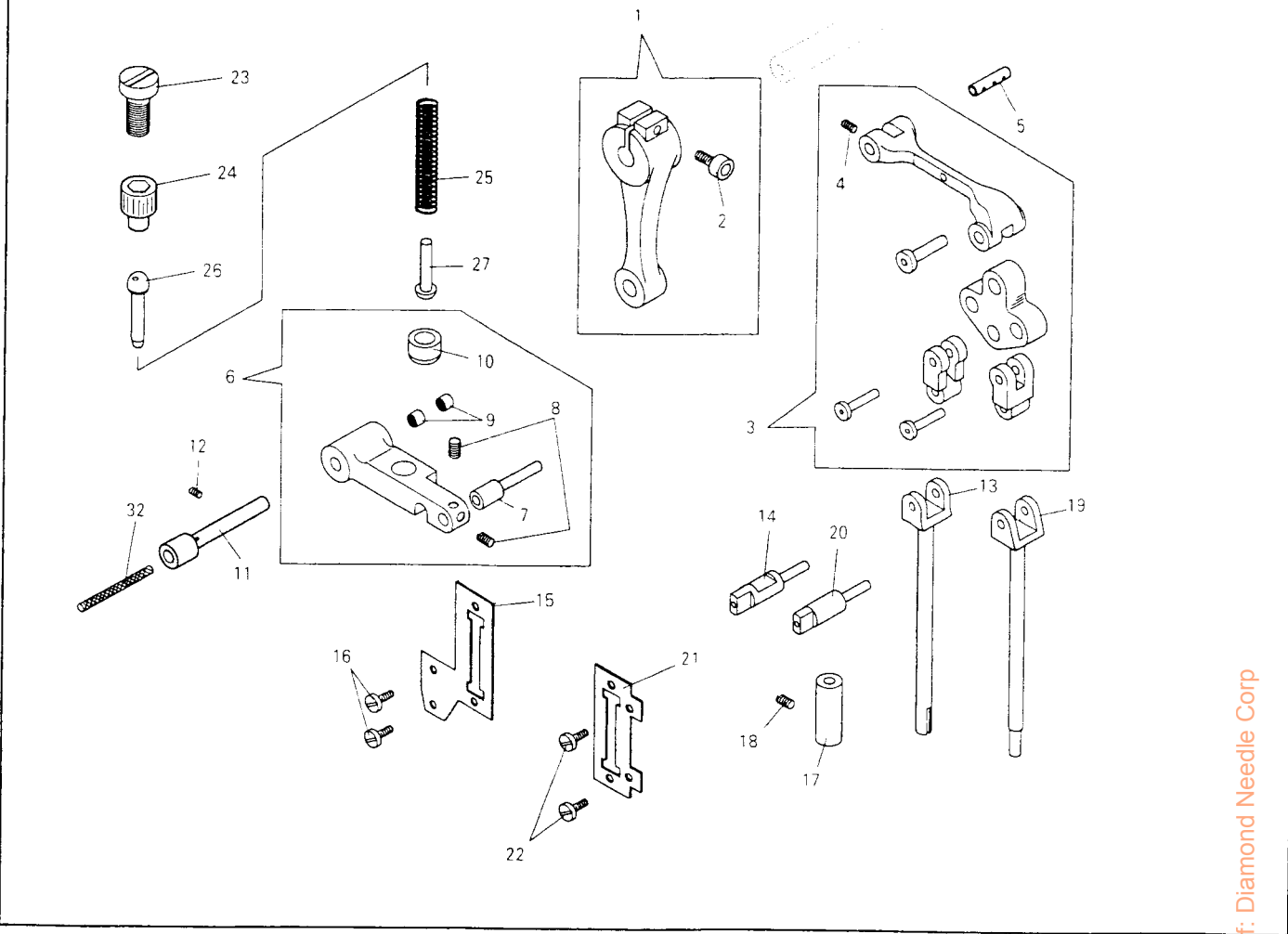


| NO | PART NO. | 939A | 939J | 939K | QTY | DESCRIPTION |
|----|------------|------|------|------|-----|--|
| 2 | 554996 | * | * | * | 1 | LIFTING REGULATING ARM COMPLETE |
| 3 | 374108-010 | * | * | * | 1 | LIFTING REGULATING ARM SCREW |
| 4 | 554579 | * | * | * | 1 | LIFTING REGULATING ARM LINK |
| 5 | 549288 | * | * | * | 2 | LIFTING REGULATING ARM LINK HINGE SCREW |
| 6 | 554580 | * | * | * | 1 | LIFTING REGULATING SPRING SHAFT ARM (FRONT) COMPLETE |
| 7 | 374108-002 | * | * | * | 1 | LIFTING REGULATING SPRING SHAFT ARM (FRONT) SCREW |
| 9 | 554595 | * | * | * | 1 | LIFTING REGULATING SPRING |
| 10 | 552503 | * | * | * | 1 | LIFTING REGULATING SPRING HOOK (UPPER) |
| 11 | 554596 | * | * | * | 1 | LIFTING REGULATING SPRING PIN |
| 12 | 554594 | * | * | * | 1 | LIFTING REGULATING SPRING SHAFT |
| 13 | 554778 | * | * | * | 1 | LIFTING REGULATING SPRING SHAFT |
| 14 | 374108-002 | * | * | * | 1 | ARM (BACK) COMPLETE |
| 15 | 549288 | * | * | * | 1 | LIFTING REGULATING SPRING SHAFT ARM (BACK) SCREW |
| 16 | 554562 | * | * | * | 1 | LIFTING REGULATING SPRING HOOK (UPPER) SCREW |
| 17 | 554563 | * | * | * | 1 | LIFTING REGULATING SCREW BUSHING |
| 18 | 544209-003 | * | * | * | 1 | LIFTING REGULATING SCREW BUSHING SET SCREW |
| 19 | 554564 | * | * | * | 2 | LIFTING REGULATING SCREW BUSHING WASHER |
| 20 | 374113 | * | * | * | 2 | LIFTING REGULATING SCREW BUSHING WASHER SCREW |
| 21 | 555064 | * | * | * | 1 | LIFTING REGULATING DIAL |
| 22 | 368362 | * | * | * | 1 | LIFTING REGULATING DIAL CAP SCREW |
| 23 | 368363 | * | * | * | 1 | LIFTING REGULATING DIAL CAP SCREW WASHER |
| 25 | 554569 | * | * | * | 1 | LIFTING REGULATING DIAL SERRATION PLATE |
| 26 | 554570 | * | * | * | 1 | LIFTING REGULATING DIAL RING |
| 27 | 544211-002 | * | * | * | 2 | LIFTING REGULATING DIAL RING SCREW |

| NO | PART NO. | 939A | 939J | 939K | QTY | DESCRIPTION |
|----|------------|------|------|------|-----|--|
| 28 | 544211-002 | * | * | * | 2 | LIFTING REGULATING DIAL STOP SCREW |
| 29 | 554573 | * | * | * | 1 | LIFTING REGULATING DIAL LOCK PIN |
| 30 | 554571 | * | * | * | 1 | LIFTING REGULATING DIAL LOCK PIN SPRING |
| 31 | 554572 | * | * | * | 1 | LIFTING REGULATING DIAL LOCK PIN SPRING GUIDE |
| 32 | 552466 | * | * | * | 1 | LIFTING REGULATING SPRING SHAFT BUSHING |
| 33 | 552719 | * | * | * | 2 | LIFTING REGULATING SPRING SHAFT COLLAR COMP. |
| 34 | 544207-011 | * | * | * | 4 | LIFTING REGULATING SPRING SHAFT COLLAR SET SCREW |

From the library of Diamond Needle Corp

LIFTING MECH 3

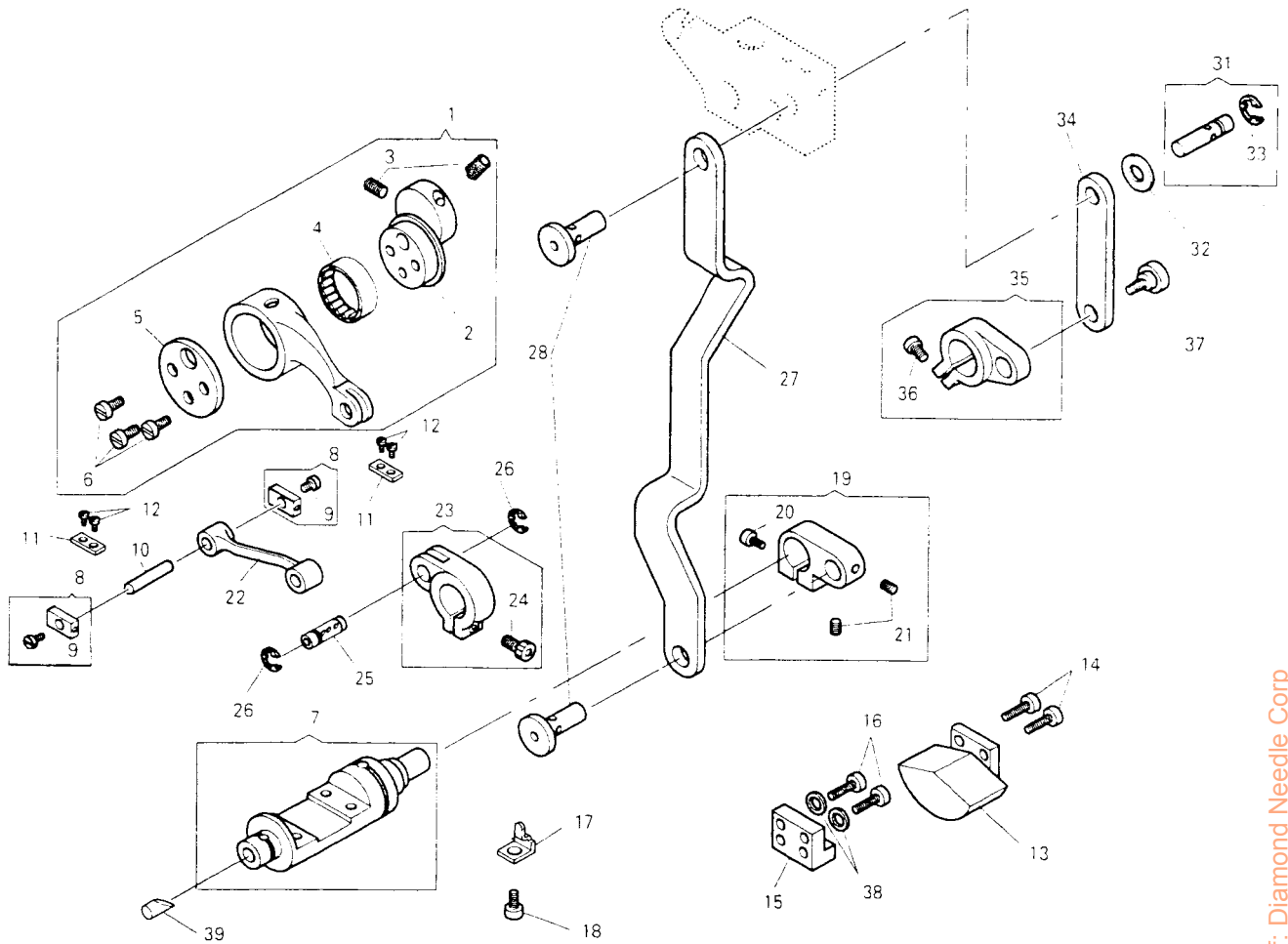


| NO | PART NO. | 939A | 939J | 939K | QTY | DESCRIPTION |
|----|------------|------|------|------|-----|---|
| 1 | 554553 | * | * | * | 1 | LIFTING ROCK SHAFT CRANK COMPLETE |
| 2 | 544411 | * | * | * | 1 | LIFTING ROCK SHAFT CRANK SCREW |
| 3 | 552727 | * | * | * | 1 | LIFTING BELL CRANK COMPLETE |
| 4 | 376240 | * | * | * | 1 | LIFTING ROCK SHAFT CRANK LINK PIN |
| 5 | 552733 | * | * | * | 1 | SET SCREW LIFTING ROCK SHAFT CRANK LINK PIN (LEFT) |
| 6 | 552734 | * | * | * | 1 | LIFTING BELL CRANK SUPPORTING ARM COMPLETE |
| 7 | 552736 | * | * | * | 1 | LIFTING BELL CRANK SUPPORTING ARM PIN |
| 8 | 544207-012 | * | * | * | 2 | LIFTING BELL CRANK SUPPORTING ARM PIN SET SCREW |
| 9 | 552696 | * | * | * | 2 | LIFTING BELL CRANK SUPPORTING ARM NEEDLE ROLLER BEARING |
| 10 | 552737 | * | * | * | 1 | PRESSER BAR SPRING GUIDE PIVOT |
| 11 | 552738 | * | * | * | 1 | LIFTING BELL CRANK SUPPORTING ARM SHAFT |
| 12 | 544204-002 | * | * | * | 1 | LIFTING BELL CRANK SUPPORTING ARM SHAFT SET SCREW |
| 13 | 552739 | * | * | * | 1 | PRESSER BAR |
| 14 | 552740 | * | * | * | 1 | PRESSER BAR PIN |
| 15 | 552741 | * | * | * | 1 | PRESSER BAR PIN GUIDE |
| 16 | 545340 | * | * | * | 2 | PRESSER BAR PIN GUIDE SCREW |
| 17 | 554407 | * | * | * | 1 | PRESSER BAR BUSHING |
| 18 | 544205-002 | * | * | * | 1 | PRESSER BAR BUSHING SET SCREW |
| 19 | 552743 | * | * | * | 1 | VIBRATING PRESSER BAR |
| 20 | 552744 | * | * | * | 1 | VIBRATING PRESSER BAR PIN |
| 21 | 552745 | * | * | * | 1 | VIBRATING PRESSER BAR PIN GUIDE |
| 22 | 545340 | * | * | * | 2 | VIBRATING PRESSER BAR PIN GUIDE SCREW |
| 23 | 552659 | * | * | * | 1 | PRESSER REGULATING THUMB SCREW |
| 24 | 376424-383 | * | * | * | 1 | PRESSER REGULATING THUMB SCREW LOCK NUT |
| 25 | 552748 | * | * | * | 1 | PRESSER BAR SPRING |

| NO | PART NO. | 939A | 939J | 939K | QTY | DESCRIPTION |
|----|------------|------|------|------|-----|--|
| 26 | 554584 | * | * | * | 1 | PRESSER BAR SPRING GUIDE (UPPER) |
| 27 | 554585 | * | * | * | 1 | PRESSER BAR SPRING GUIDE (LOWER) |
| 32 | 554465-017 | * | * | * | 1 | LIFTING ROCK SHAFT CRANK SUPPORTING ARM SHAFT OIL WICK |

The library of: Diamond Needle Corp

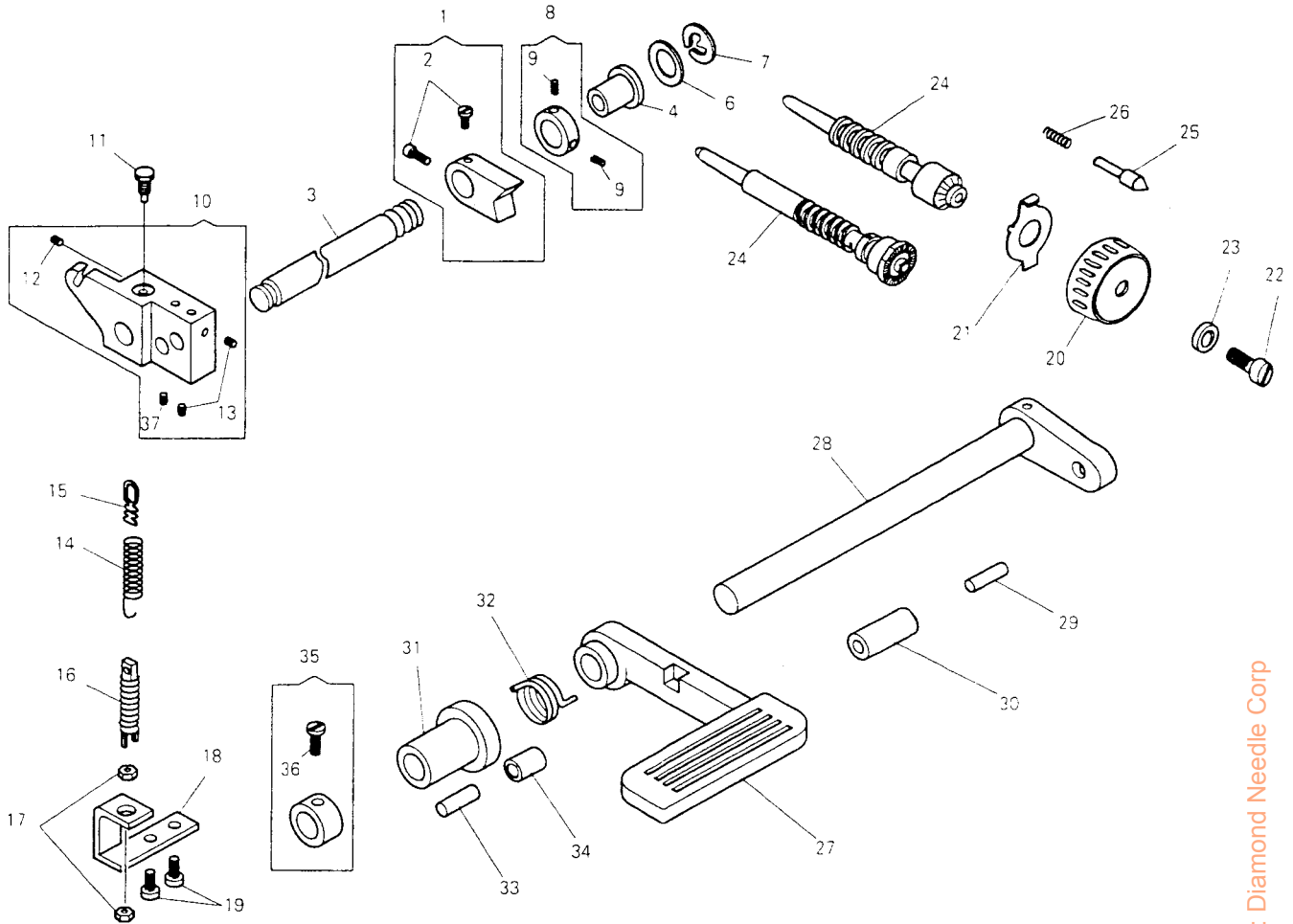
FEED MECHANISM (FEED ROCK SHAFT DRIVING FRAME)



| NO | PART NO. | 939A | 939J | 939K | QTY | DESCRIPTION |
|----|------------|------|------|------|-----|--|
| 1 | 552477 | * | * | * | 1 | FEED DRIVING ECCENTRIC AND FEED DRIVING ECCENTRIC CONNECTION COMP. |
| 2 | 552478 | * | * | * | 1 | FEED DRIVING ECCENTRIC |
| 3 | 544209-005 | * | * | * | 2 | FEED DRIVING ECCENTRIC SET SCREW |
| 4 | 552479 | * | * | * | 1 | FEED DRIVING ECCENTRIC CONNECTION BEARING |
| 5 | 552481 | * | * | * | 1 | FEED DRIVING ECCENTRIC CONNECTION BEARING RETAINING PLATE |
| 6 | 544212-051 | * | * | * | 3 | FEED DRIVING ECCENTRIC CONNECTION BEARING RETAINING PLATE SCREW |
| 7 | 552482 | * | * | * | 1 | FEED ROCK SHAFT DRIVING FRAME COMP. |
| 8 | 552484 | * | * | * | 2 | FEED ROCK SHAFT DRIVING SLIDE BLOCK COMP. |
| 9 | 549166 | * | * | * | 2 | FEED ROCK SHAFT DRIVING SLIDE BLOCK SCREW |
| 10 | 552485 | * | * | * | 1 | FEED ROCK SHAFT DRIVING SLIDE BLOCK STUD |
| 11 | 552486 | * | * | * | 2 | FEED ROCK SHAFT DRIVING SLIDE BLOCK GUIDE PLATE |
| 12 | 544212-053 | * | * | * | 4 | FEED ROCK SHAFT DRIVING SLIDE BLOCK GUIDE PLATE SCREW |
| 13 | 554493 | * | * | * | 1 | FEED ROCK SHAFT DRIVING FRAME BALANCE WEIGHT |
| 14 | 374106-006 | * | * | * | 2 | FEED ROCK SHAFT DRIVING FRAME BALANCE WEIGHT SCREW |
| 15 | 554494 | * | * | * | 1 | FEED ROCK SHAFT DRIVING FRAME BALANCE WEIGHT BRACKET |
| 16 | 374107-003 | * | * | * | 2 | FEED ROCK SHAFT DRIVING FRAME BALANCE WEIGHT BRACKET SCREW |
| 17 | 554810 | * | * | * | 1 | FEED ROCK SHAFT DRIVING FRAME SUPPORT PLATE |
| 18 | 544213-051 | * | * | * | 1 | FEED ROCK SHAFT DRIVING FRAME SUPPORT PLATE SCREW |

| NO | PART NO. | 939A | 939J | 939K | QTY | DESCRIPTION |
|----|------------|------|------|------|-----|--|
| 19 | 554798 | * | * | * | 1 | FEED ROCK SHAFT DRIVING FRAME LEVER COMP. |
| 20 | 374107-004 | * | * | * | 1 | FEED ROCK SHAFT DRIVING FRAME LEVER PINCH SCREW |
| 21 | 544208-005 | * | * | * | 2 | FEED ROCK SHAFT DRIVING FRAME LEVER STUD SET SCREW |
| 22 | 552490 | * | * | * | 1 | FEED ROCK SHAFT DRIVING LNK COMP. |
| 23 | 554906 | * | * | * | 1 | FEED ROCK SHAFT CRANK COMP. |
| 24 | 374107-004 | * | * | * | 1 | FEED ROCK SHAFT CRANK PINCH SCREW |
| 25 | 552493 | * | * | * | 1 | FEED ROCK SHAFT CRANK PIN |
| 26 | 543801-006 | * | * | * | 2 | FEED ROCK SHAFT CRANK PIN SNAP RING |
| 27 | 554756 | * | * | * | 1 | FEED REGULATING LINK |
| 28 | 554797 | * | * | * | 2 | FEED REGULATING LINK STUD |
| 31 | 554785 | * | * | * | 1 | FEED REVERSE LINK STUD COMP. |
| 32 | 412226 | * | * | * | 1 | FEED REVERSE LINK STUD THRUST WASHER |
| 33 | 543571 | * | * | * | 1 | FEED REVERSE LINK STUD SNAP RING |
| 34 | 554757 | * | * | * | 1 | FEED REVERSE LINK |
| 35 | 554754 | * | * | * | 1 | FEED REVERSE LEVER SHAFT CRANK COMP. |
| 36 | 374107-004 | * | * | * | 1 | FEED REVERSE LEVER SHAFT CRANK PINCH SCREW |
| 37 | 549288 | * | * | * | 1 | FEED REVERSE LEVER SHAFT CRANK HINGE SCREW |
| 38 | 544840 | * | * | * | 2 | FEED ROCK SHAFT DRIVING FRAME BALANCE WEIGHT BRACKET SPRING WASHER |
| 39 | 555066 | * | * | * | 1 | FEED ROCK SHFT DRIVING FARM E PLUG |

FEED REGULATING DIAL, FEED REVERSE LEVER

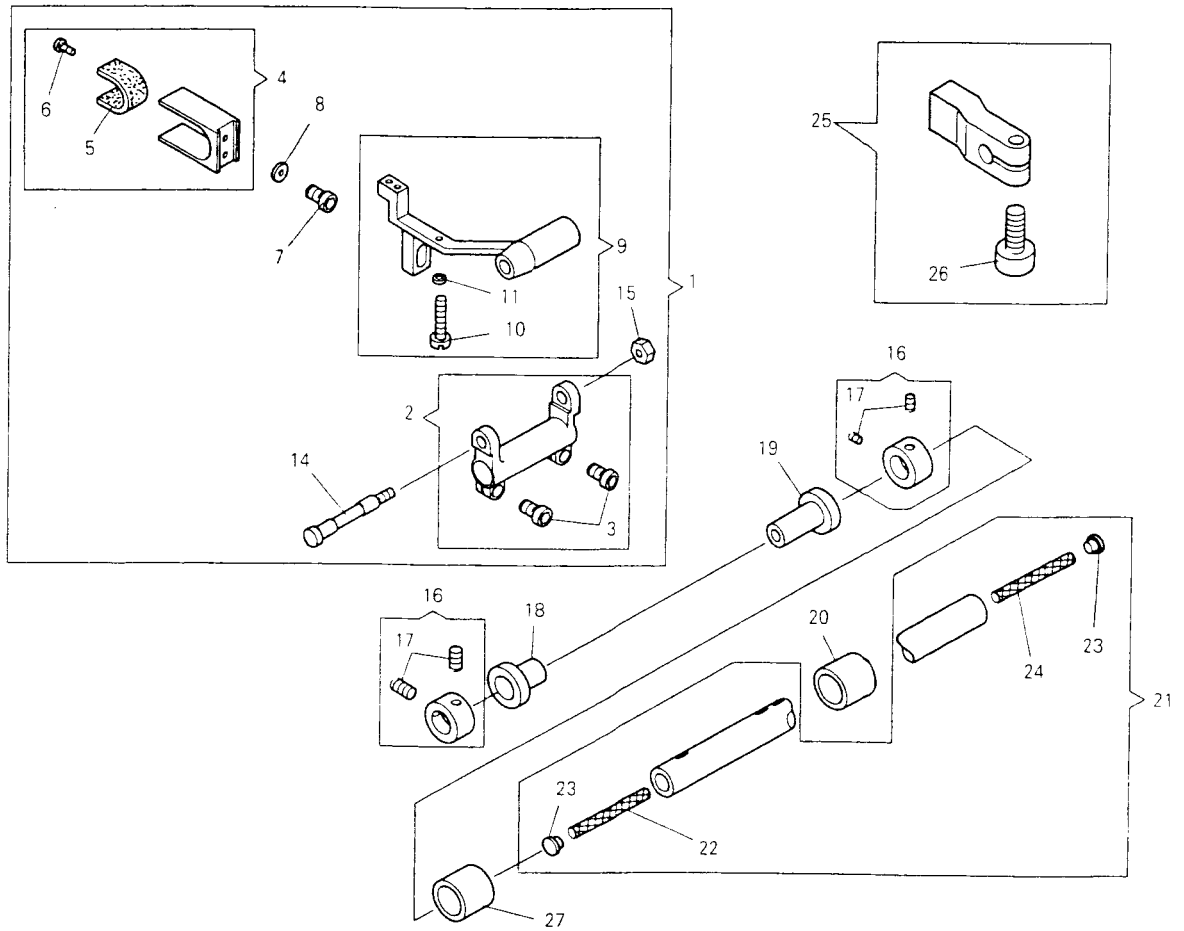


| NO. | PART NO. | 939A | 939J | 939K | QTY | DESCRIPTION |
|-----|------------|------|------|------|-----|---|
| 1 | 552494 | * | * | * | 1 | FEED REGULATOR COMP. |
| 2 | 374300 | * | * | * | 2 | FEED REGULATOR SCREW |
| 3 | 552496 | * | * | * | 1 | FEED REGULATOR SHAFT |
| 4 | 552497 | * | * | * | 1 | FEED REGULATOR SHAFT BUSHING |
| 6 | 418340 | * | * | * | 1 | FEED REGULATOR SHAFT THRUST WASHER |
| 7 | 543801-013 | * | * | * | 1 | FEED REGULATOR SHAFT SNAP RING |
| 8 | 552719 | * | * | * | 1 | FEED REGULATOR SHAFT COLLAR COMP. |
| 9 | 544207-011 | * | * | * | 2 | FEED REGULATOR SHAFT COLLAR SET SCREW |
| 10 | 554752 | * | * | * | 1 | FEED REGULATOR SHAFT ARM COMP. |
| 11 | 368108 | * | * | * | 1 | FEED REGULATOR SHAFT ARM POSITION SCREW |
| 12 | 544205-001 | * | * | * | 1 | FEED REGULATOR SHAFT ARM SET SCREW |
| 13 | 544208-005 | * | * | * | 2 | FEED REGULATING STUD SET SCREW |
| 14 | 554499 | * | * | * | 1 | FEED REGULATOR SHAFT ARM SPRING |
| 15 | 554500 | * | * | * | 1 | FEED REGULATOR SHAFT ARM SPRING HOOK (UPPER) |
| 16 | 554498 | * | * | * | 1 | FEED REGULATOR SHAFT ARM SPRING HOOK (LOWER) |
| 17 | 541166-001 | * | * | * | 2 | FEED REGULATOR SHAFT ARM SPRING HOOK (LOWER) LOCK NUT |
| 18 | 554501 | * | * | * | 1 | FEED REGULATOR SHAFT ARM SPRING HOOK RETAINER |
| 19 | 544213-053 | * | * | * | 2 | FEED REGULATOR SHAFT ARM SPRING HOOK RETAINER SCREW |
| 20 | 552752 | * | * | * | 1 | FEED REGULATING DIAL |
| 21 | 544947 | * | * | * | 1 | FEED REGULATING DIAL SERRATION PLATE |
| 22 | 368362 | * | * | * | 1 | FEED REGULATING DIAL CAP SCREW |
| 23 | 368363 | * | * | * | 1 | FEED REGULATING DIAL CAP SCREW WASHER |
| 24 | 552515 | * | * | * | 1 | FEED REGULATING STUD |
| 24 | 554455 | - | - | * | 1 | FEED REGULATING STUD |

| NO. | PART NO. | 939A | 939J | 939K | QTY | DESCRIPTION |
|-----|------------|------|------|------|-----|---|
| 25 | 368114 | * | * | * | 1 | FEED REGULATING DIAL LOCK PIN |
| 26 | 545820 | * | * | * | 1 | FEED REGULATING DIAL LOCK PIN SPRING |
| 27 | 552516 | * | * | * | 1 | FEED REVERSE LEVER |
| 28 | 552518 | * | * | * | 1 | FEED REVERSE LEVER SHAFT ARM COMP. |
| 29 | 543831-001 | * | * | * | 1 | FEED REVERSE LEVER SHAFT ARM PIN |
| 30 | 552521 | * | * | * | 1 | FEED REVERSE LEVER SHAFT ARM PIN COVER |
| 31 | 368129 | * | * | * | 1 | FEED REVERSE LEVER SHAFT BUSHING |
| 32 | 554888 | * | * | * | 1 | FEED REVERSE LEVER SPRING |
| 33 | 375653 | * | * | * | 1 | FEED REVERSE LEVER STOPPER PIN |
| 34 | 375662 | * | * | * | 1 | FEED REVERSE LEVER STOPPER PIN COVER |
| 35 | 552552 | * | * | * | 1 | FEED REVERSE LEVER SHAFT COLLAR COMP. |
| 36 | 374062 | * | * | * | 1 | FEED REVERSE LEVER SHAFT COLLAR SET SCREW |
| 37 | 544208-005 | * | * | * | 1 | FEED REVERSE LINK STUD SET SCREW |

From the library of: Diamond Needle Corp

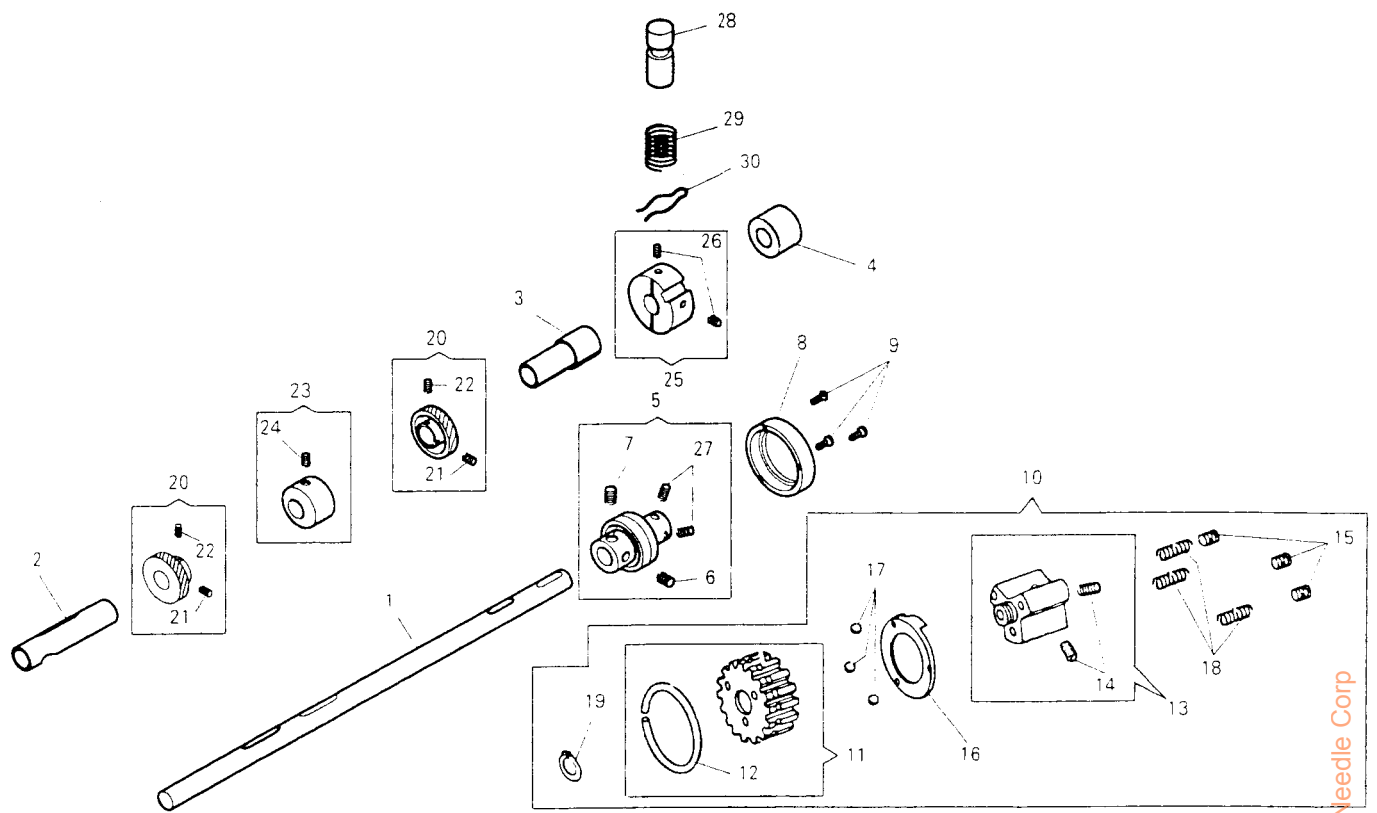
FEED BAR, FEED DRIVING ROCK SHAFT



| NO | PART NO. | 939A | 939J | 939K | QTY | DESCRIPTION |
|----|------------|------|------|------|-----|---|
| 1 | 554984 | * | - | - | 1 | FEED BAR AND FEED DRIVING ROCK FRAME COMP. |
| 1 | 554986 | - | * | * | 1 | FEED BAR AND FEED DRIVING ROCK FRAME COMP. |
| 2 | 554985 | * | - | - | 1 | FEED DRIVING ROCK FRAME COMP. |
| 2 | 554987 | - | * | * | 1 | FEED DRIVING ROCK FRAME COMP. |
| 3 | 374108-009 | * | * | * | 2 | FEED DRIVING ROCK FRAME PINCH SCREW |
| 4 | 412161 | * | * | * | 1 | FEED LIFTING ECCENTRIC FORK COMP. |
| 5 | 223655 | * | * | * | 1 | FEED LIFTING ECCENTRIC FORK OILING FELT |
| 6 | 549075 | * | * | * | 1 | FEED LIFTING ECCENTRIC FORK OILING FELT SCREW |
| 7 | 544411 | * | * | * | 1 | FEED LIFTING ECCENTRIC FORK SCREW |
| 8 | 543804-025 | * | * | * | 1 | FEED LIFTING ECCENTRIC FORK SCREW WASHER |
| 9 | 412183 | * | - | - | 1 | FEED BAR COMP. |
| 9 | 281090 | - | * | * | 1 | FEED BAR COMP. |
| 10 | 545391 | * | * | * | 1 | FEED DOG SUPPORT SCREW |
| 11 | 545437 | * | * | * | 1 | FEED DOG SUPPORT SCREW NUT |
| 14 | 412089 | * | - | - | 1 | FEED BAR HINGE SCREW |
| 14 | 281091 | - | * | * | 1 | FEED BAR HINGE SCREW |
| 15 | 545405 | * | - | - | 1 | FEED BAR HINGE SCREW NUT |
| 15 | 545428 | - | * | * | 1 | FEED BAR HINGE SCREW NUT |
| 16 | 508327 | * | * | * | 2 | FEED ROCK SHAFT STOP COLLAR COMP. |
| 17 | 154780 | * | * | * | 4 | FEED ROCK SHAFT STOP COLLAR SET SCREW |
| 18 | 552523 | * | * | * | 1 | FEED ROCK SHAFT BUSHING (FRONT) |
| 19 | 367397 | * | * | * | 1 | FEED ROCK SHAFT BUSHING (MIDDLE) |
| 20 | 552759 | * | * | * | 1 | FEED ROCK SHAFT BUSHING (BACK) |
| 21 | 552753 | * | * | * | 1 | FEED ROCK SHAFT COMP. |
| 22 | 554465-004 | * | * | * | 1 | FEED ROCK SHAFT OIL PACKING (WICK) (LONG) |
| 23 | 502987 | * | * | * | 2 | FEED ROCK SHAFT OIL HOLE PLUG |

| NO | PART NO. | 939A | 939J | 939K | QTY | DESCRIPTION |
|----|------------|------|------|------|-----|--|
| 24 | 554465-015 | * | * | * | 1 | FEED DRIVING ROCK SHAFT OIL PACKING (WICK) (SHORT) |
| 25 | 552754 | * | * | * | 1 | FEED DRIVING ROCK SHAFT CRANK COMP. |
| 26 | 374108-009 | * | * | * | 1 | FEED DRIVING ROCK SHAFT CRANK PINCH SCREW |
| 27 | 555059 | * | * | * | 1 | FEED ROCK SHAFT BUSHING (MIDDLE, RIGHT) |

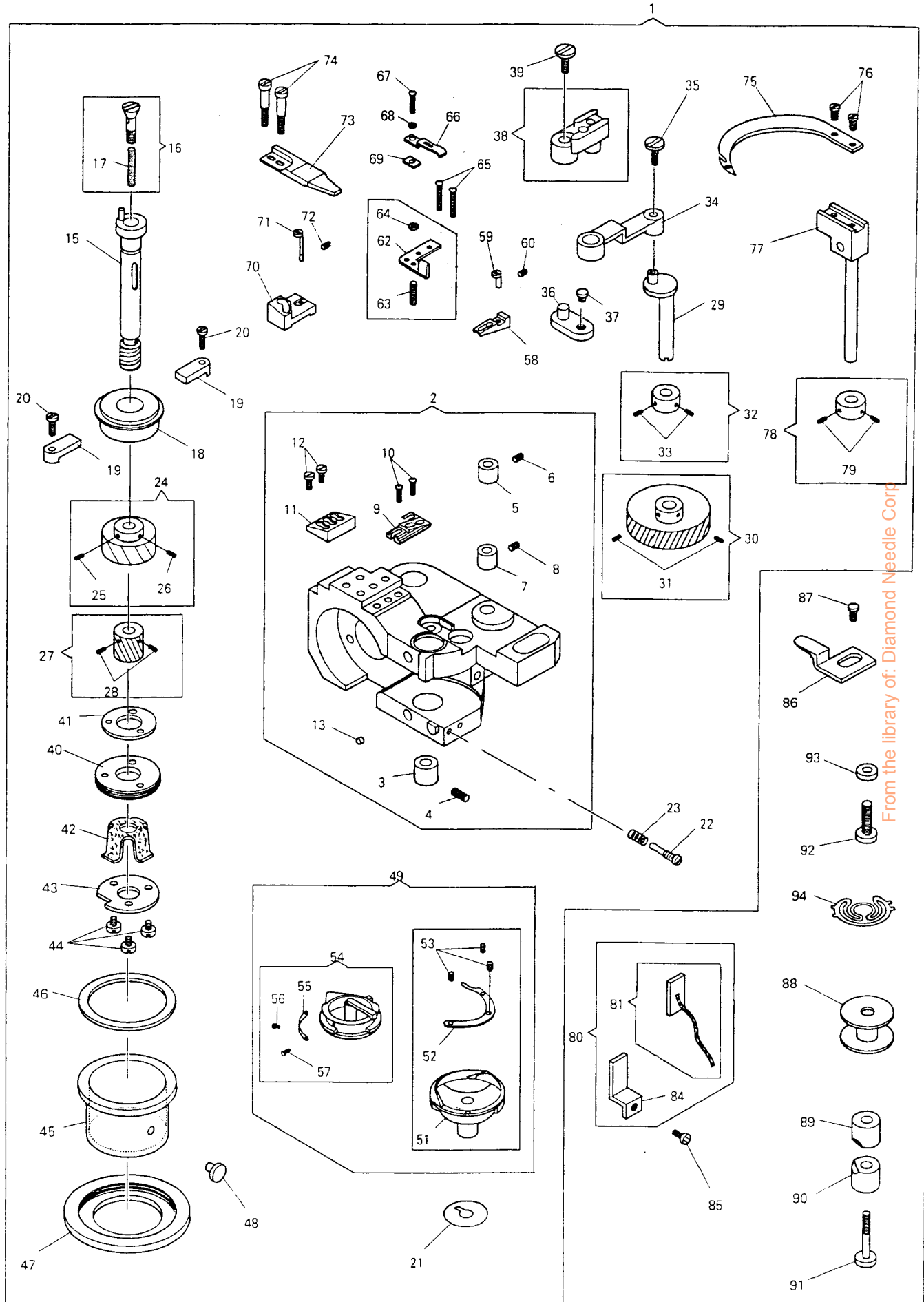
HOOK DRIVING SHAFT, HOOK DRIVING SHAFT CONNECTION BELT PULLEY



| NO. | PART NO. | 939A | 939J | 939K | QTY | DESCRIPTION |
|-----|------------|------|------|------|-----|--|
| 1 | 552528 | * | * | * | 1 | HOOK DRIVING SHAFT |
| 2 | 267195 | * | * | * | 1 | HOOK SADDLE BEARING (LEFT) |
| 3 | 416699 | * | * | * | 1 | HOOK SADDLE BEARING (RIGHT) |
| 4 | 552529 | * | * | * | 1 | HOOK DRIVING SHAFT BUSHING (CENTER) |
| 5 | 554676 | * | * | * | 1 | HOOK DRIVING SHAFT BALL BEARING COMP. |
| 6 | 544329 | * | * | * | 1 | HOOK DRIVING SHAFT BALL BEARING COLLAR POSITION SCREW |
| 7 | 544325 | * | * | * | 1 | HOOK DRIVING SHAFT BALL BEARING COLLAR SET SCREW |
| 8 | 267063 | * | * | * | 1 | HOOK DRIVING SHAFT BALL BEARING RETAINING WASHER |
| 9 | 544346 | * | * | * | 3 | HOOK DRIVING SHAFT BALL BEARING RETAINING WASHER SCREW |
| 10 | 412031 | * | * | * | 1 | SAFETY CLUTCH COMP. |
| 11 | 244760 | * | * | * | 1 | SAFETY CLUTCH BELT PULLEY |
| 12 | 202253 | * | * | * | 1 | SAFETY CLUTCH BELT PULLEY SPRING |
| 13 | 412032 | * | * | * | 1 | SAFETY CLUTCH OVERLOAD PULLEY COMP. |
| 14 | 544322 | * | * | * | 2 | SAFETY CLUTCH OVERLOAD PULLEY SET SCREW |
| 15 | 544331 | * | * | * | 3 | SAFETY CLUTCH OVERLOAD PULLEY ADJUSTING SCREW |
| 16 | 514453 | * | * | * | 1 | SAFETY CLUTCH DISC |
| 17 | 276025 | * | * | * | 3 | SAFETY CLUTCH DRIVING BALL |
| 18 | 514454 | * | * | * | 3 | SAFETY CLUTCH DRIVING BALL SPRING |
| 19 | 543802-014 | * | * | * | 1 | SAFETY CLUTCH OVERLOAD PULLEY RETAINING RING |
| 20 | 412034 | * | * | * | 2 | HOOK DRIVING GEAR COMP. |
| 21 | 544329 | * | * | * | 2 | HOOK DRIVING GEAR POSITION SCREW |
| 22 | 544325 | * | * | * | 2 | HOOK DRIVING GEAR SET SCREW |
| 23 | 412026 | * | * | * | 1 | FEED LIFTING ECCENTRIC COMP. |
| 24 | 544329 | * | * | * | 1 | FEED LIFTING ECCENTRIC SET SCREW |

| NO. | PART NO. | 939A | 939J | 939K | QTY | DESCRIPTION |
|-----|------------|------|------|------|-----|--|
| 25 | 554679 | * | * | * | 1 | HOOK DRIVING SHAFT COLLAR COMP. |
| 26 | 544204-002 | * | * | * | 2 | HOOK DRIVING SHAFT COLLAR SET SCREW |
| 27 | 545174-452 | * | * | * | 2 | HOOK DRIVING SHAFT BALL BEARING COLLAR SET SCREW |
| 28 | 554678 | * | * | * | 1 | FEED REGULATING STUD |
| 29 | 270026 | * | * | * | 1 | FEED REGULATING STUD SPRING |
| 30 | 240245 | * | * | * | 1 | FEED REGULATING STUD RETAINING SPRING |

HOOK SADDLE (RIGHT), HOOK



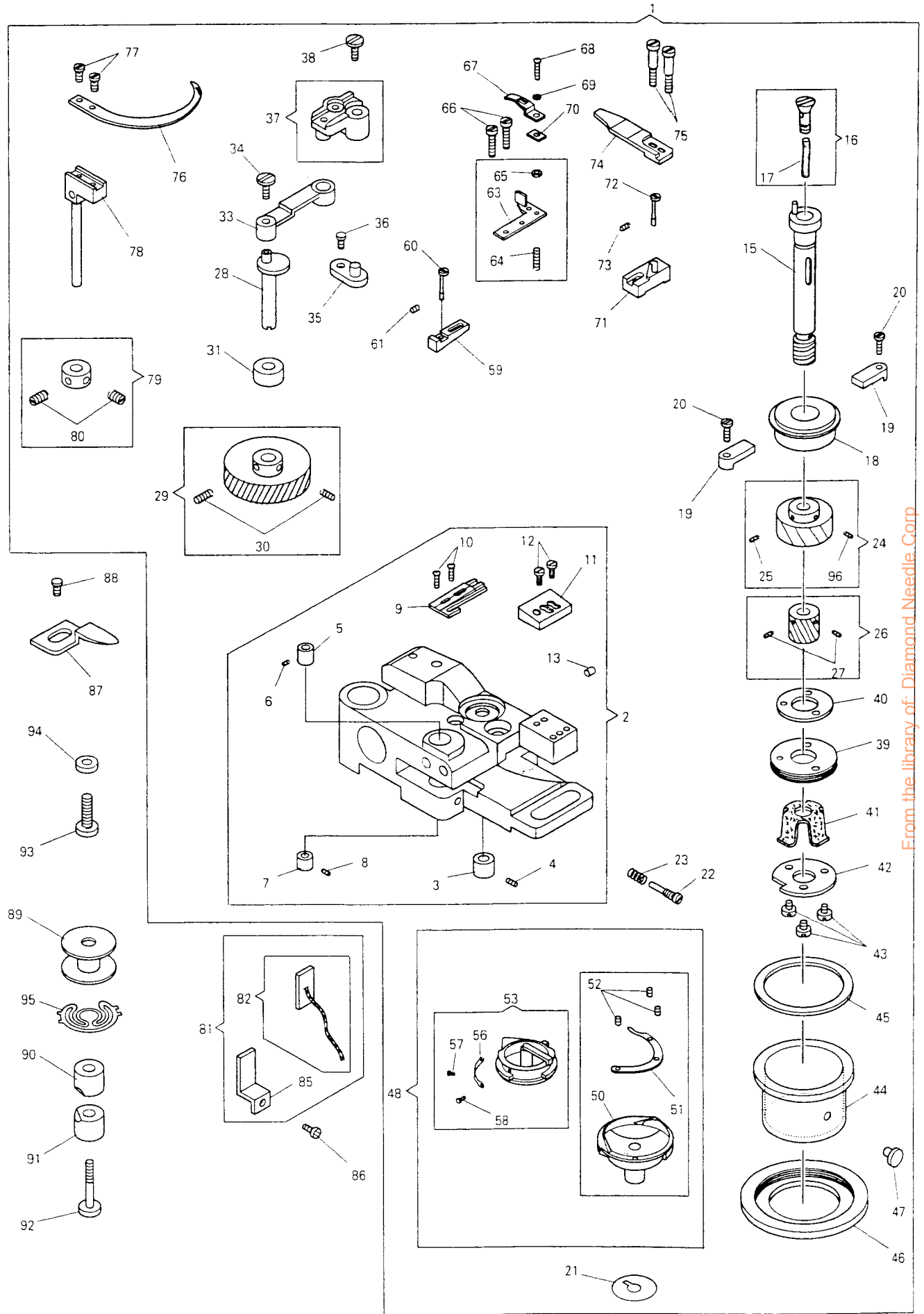
From the library of: Diamond Needle Corp

| NO. | PART NO. | 939A | 939J | 939K | QTY | DESCRIPTION |
|-----|------------|------|------|------|-----|--|
| 1 | 554907 | * | - | - | 1 | HOOK SADDLE (RIGHT) WITH HOOK COMP. |
| 1 | 554731 | - | * | * | 1 | HOOK SADDLE (RIGHT) WITH HOOK COMP. |
| 2 | 554908 | * | - | - | 1 | HOOK SADDLE (RIGHT) COMP. |
| 2 | 554732 | - | * | * | 1 | HOOK SADDLE (RIGHT) COMP. |
| 3 | 554643-002 | * | * | * | 1 | HOOK SHAFT BUSHING (LOWER) |
| 4 | 504020 | * | * | * | 1 | HOOK SHAFT BUSHING (LOWER) SET SCREW |
| 5 | 282784-001 | * | * | * | 1 | BOBBIN CASE OPENER CAM SHAFT BUSHING (UPPER) |
| 6 | 544207-011 | * | * | * | 1 | BOBBIN CASE OPENER CAM SHAFT BUSHING (UPPER) SET SCREW |
| 7 | 282784-002 | * | * | * | 1 | BOBBIN CASE OPENER CAM SHAFT BUSHING (LOWER) |
| 8 | 544207-011 | * | * | * | 1 | BOBBIN CASE OPENER CAM SHAFT BUSHING (LOWER) SET SCREW |
| 9 | 281039 | - | * | * | 1 | THREAD PULLER SUPPORT |
| 10 | 544211-052 | - | * | * | 2 | ADJUSTING BLOCK (LOWER) |
| 11 | 281040 | - | * | * | 1 | ADJUSTING BLOCK (LOWER) SET SCREW |
| 12 | 544211-052 | - | * | * | 2 | STATIONARY KNIFE ADJUSTING BLOCK (LOWER) |
| 13 | 554641 | * | * | * | 1 | STATIONARY KNIFE ADJUSTING BLOCK (LOWER) SET SCREW |
| 15 | 554838 | * | * | * | 1 | HOOK SADDLE PLUG |
| 16 | 554648 | * | * | * | 1 | HOOK SHAFT COMP. |
| 17 | 502928 | * | * | * | 1 | HOOK SHAFT OIL FELT |
| 18 | 267053 | * | * | * | 1 | HOOK BALL BEARING |
| 19 | 514173 | * | * | * | 2 | HOOK BALL BEARING RETAINER |
| 20 | 504010-452 | * | * | * | 2 | HOOK BALL BEARING RETAINER SCREW |
| 21 | 514170 | * | * | * | 4 | HOOK SPACER |
| 21 | 554913 | * | * | * | (3) | HOOK SPACER |
| 22 | 554839 | * | * | * | 1 | OIL REGULATING SCREW |
| 23 | 544958 | * | * | * | 1 | OIL REGULATING SCREW SPRING |
| 24 | 554919 | * | * | * | 1 | HOOK DRIVING PINION COMP. |
| 25 | 544325 | * | * | * | 1 | HOOK DRIVING PINION SET SCREW |
| 26 | 544329 | * | * | * | 1 | HOOK DRIVING PINION POSITION SCREW |
| 27 | 554645 | * | * | * | 1 | BOBBIN CASE OPENER CAM SHAFT ACTUATING GEAR COMP. |
| 28 | 544207-011 | * | * | * | 2 | BOBBIN CASE OPENER CAM SHAFT ACTUATING GEAR SET SCREW |
| 29 | 282788 | * | * | * | 1 | BOBBIN CASE OPENER CAM SHAFT |
| 30 | 282789 | * | * | * | 1 | BOBBIN CASE OPENER CAM SHAFT GEAR COMP. |
| 31 | 544207-011 | * | * | * | 2 | BOBBIN CASE OPENER CAM SHAFT GEAR SET SCREW |
| 32 | 282790 | * | * | * | 1 | BOBBIN CASE OPENER CAM SHAFT COLLAR COMP. |
| 33 | 544207-011 | * | * | * | 2 | BOBBIN CASE OPENER CAM SHAFT COLLAR SET SCREW |
| 34 | 282802 | * | * | * | 1 | BOBBIN CASE OPENER CRANK LINK |
| 35 | 544356 | * | * | * | 1 | BOBBIN CASE OPENER CRANK LINK CAP SCREW |
| 36 | 412283 | * | * | * | 1 | BOBBIN CASE OPENER CRANK HINGE STUD |
| 37 | 544383 | * | * | * | 1 | BOBBIN CASE OPENER CRANK HINGE STUD SCREW |
| 38 | 282792 | * | * | * | 1 | BOBBIN CASE OPENER CRANK COMP. |
| 39 | 544356 | * | * | * | 1 | BOBBIN CASE OPENER CRANK CAP SCREW |
| 40 | 554659 | * | * | * | 1 | HOOK SADDLE OIL RESERVOIR BRACKET |
| 41 | 554668 | * | * | * | 1 | HOOK SADDLE OIL RESERVOIR BRACKET GASKET |
| 42 | 281046 | * | * | * | 1 | HOOK OIL FELT |
| 43 | 554608 | * | * | * | 1 | HOOK OIL FELT RETAINER |
| 44 | 544211-003 | * | * | * | 3 | HOOK OIL FELT RETAINER SCREW |
| 45 | 554658 | * | * | * | 1 | HOOK SADDLE OIL RESERVOIR |
| 46 | 554661 | * | * | * | 1 | HOOK SADDLE OIL RESERVOIR GASKET |
| 47 | 554660 | * | * | * | 1 | HOOK SADDLE OIL RESERVOIR RING |
| 48 | 367314 | * | * | * | 1 | HOOK SADDLE OIL RESERVOIR PLUG |
| 49 | 554826 | * | * | * | 1 | HOOK AND BOBBIN CASE COMP. |
| 51 | 554828 | * | * | * | 1 | HOOK (BODY) |
| 52 | 555068 | * | * | * | 1 | HOOK GIB |
| 53 | 500520 | * | * | * | 3 | HOOK GIB SCREW |
| 54 | 281155 | * | * | * | 1 | BOBBIN CASE COMP. |
| 55 | 281157 | * | * | * | 1 | BOBBIN CASE TENSION SPRING REGULATING SCREW |

| NO. | PART NO. | 939A | 939J | 939K | QTY | DESCRIPTION |
|-----|------------|------|------|------|-----|--|
| 56 | 500519 | * | * | * | 1 | BOBBIN CASE TENSION SPRING REGULATING SCREW |
| 57 | 500518 | * | * | * | 1 | BOBBIN CASE TENSION SPRING SCREW |
| 58 | 281056 | - | * | * | 1 | THREAD PULLER SUPPORT |
| 59 | 543376 | - | * | * | 1 | ADJUSTING BLOCK (UPPER) |
| 60 | 544207-011 | - | * | * | 1 | THREAD PULLER SUPPORT |
| 62 | 281055 | - | * | * | 1 | ADJUSTING BLOCK (UPPER) |
| 63 | 374475 | - | * | * | 1 | ECCENTRIC PIN SET SCREW |
| 64 | 541159 | - | * | * | 1 | THREAD PULLER SUPPORT |
| 65 | 374478 | - | * | * | 2 | TRAPPER ADJUSTING SCREW |
| 66 | 281057 | - | * | * | 1 | TRAPPER ADJUSTING SCREW NUT |
| 67 | 544413 | - | * | * | 1 | THREAD PULLER SUPPORT SCREW |
| 68 | 408386 | - | * | * | 1 | TRAPPER |
| 69 | 548228 | - | * | * | 1 | TRAPPER SET SCREW |
| 70 | 281059 | - | * | * | 1 | TRAPPER SET SCREW WASHER |
| 71 | 281060 | - | * | * | 1 | TRAPPER ADJUSTING WASHER |
| 72 | 544207-011 | - | * | * | 1 | (t=0.13M/M) STATIONARY KNIFE ADJUSTING BLOCK (UPPER) |
| 73 | 281058 | - | * | * | 1 | STATIONARY KNIFE ADJUSTING BLOCK (UPPER) ECCENTRIC PIN |
| 74 | 374476 | - | * | * | 2 | STATIONARY KNIFE ADJUSTING BLOCK (UPPER) ECCENTRIC PIN SET SCREW |
| 75 | 281180-001 | - | * | * | 1 | STATIONARY KNIFE |
| 76 | 544088 | - | * | * | 2 | STATIONARY KNIFE SET SCREW |
| 77 | 282803 | - | * | * | 1 | THREAD PULLER |
| 78 | 281064 | - | * | * | 1 | THREAD PULLER SCREW |
| 79 | 544207-011 | - | * | * | 2 | THREAD PULLER RETAINER BRACKET |
| 80 | 552891 | * | * | * | 1 | THREAD PULLER RETAINER BRACKET SHAFT COLLAR SET SCREW |
| 81 | 552892 | * | * | * | 1 | HOOK DRIVING PINION OIL FELT, OIL PACKING (WICK) COMP. |
| 84 | 552893 | * | * | * | 1 | HOOK DRIVING PINION OIL FELT BRACKET |
| 85 | 544211-002 | * | * | * | 1 | HOOK DRIVING PINION OIL FELT BRACKET SCREW |
| 86 | 282793 | * | * | * | 1 | BOBBIN CASE OPENER |
| 87 | 549027 | * | * | * | 1 | BOBBIN CASE OPENER SCREW |
| 88 | 282768 | * | * | * | 1 | BOBBIN |
| 89 | 412115 | * | * | * | 1 | PINCH SLEEVE (UPPER) |
| 90 | 267139 | * | * | * | 1 | PINCH SLEEVE (LOWER) |
| 91 | 544364 | * | * | * | 1 | PINCH SLEEVE SCREW |
| 92 | 544334 | * | * | * | 1 | HOOK SADDLE (RIGHT) SCREW |
| 93 | 225585 | * | * | * | 1 | HOOK SADDLE (RIGHT) SCREW WASHER |
| 94 | 417269 | - | * | * | 1 | ANTI SPILL SPRING |

From the library of: Diamond Needle Corp

HOOK SADDLE (LEFT), HOOK



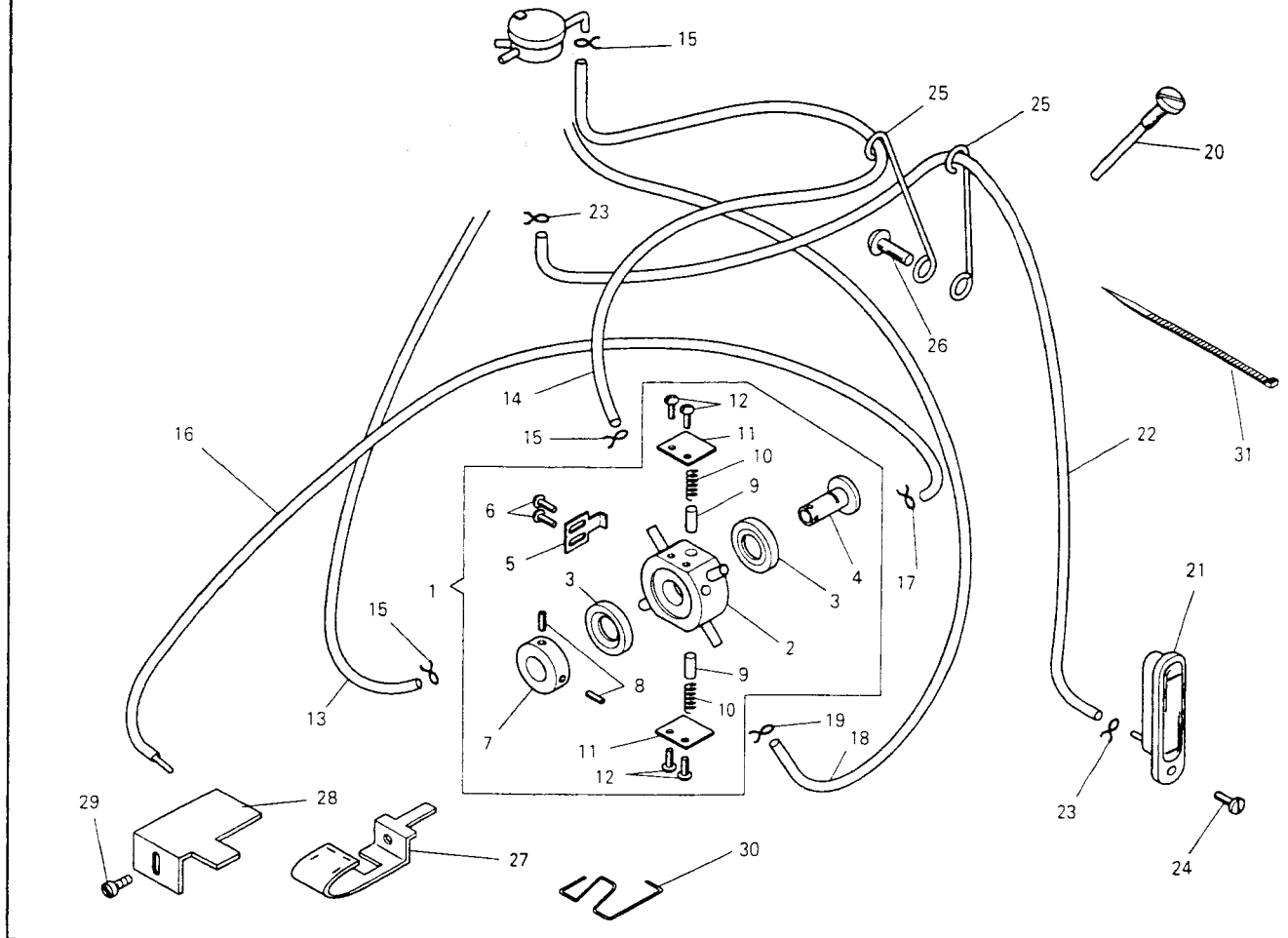
From the library of: Diamond Needle Corp

| NO. | PART NO. | 939A | 939J | 939K | QTY | DESCRIPTION |
|-----|------------|------|------|------|-----|---|
| 1 | 554971 | * | - | - | 1 | HOOK SADDLE (LEFT) WITH HOOK COMP. |
| 1 | 554734 | - | * | * | 1 | HOOK SADDLE (LEFT) WITH HOOK COMP. |
| 2 | 554972 | * | - | - | 1 | HOOK SADDLE (LEFT) COMP. |
| 2 | 554735 | - | * | * | 1 | HOOK SADDLE (LEFT) COMP. |
| 3 | 554643-002 | * | * | * | 1 | HOOK SHAFT BUSHING (LOWER) |
| 4 | 504020 | * | * | * | 1 | HOOK SHAFT BUSHING (LOWER) SET SCREW |
| 5 | 282784-001 | * | * | * | 1 | BOBBIN CASE OPENER CAM SHAFT BUSHING (UPPER) |
| 6 | 544207-011 | * | * | * | 1 | BOBBIN CASE OPENER CAM SHAFT BUSHING (UPPER) SET SCREW |
| 7 | 282797 | * | * | * | 1 | BOBBIN CASE OPENER CAM SHAFT BUSHING (LOWER) |
| 8 | 544207-011 | * | * | * | 1 | BOBBIN CASE OPENER CAM SHAFT BUSHING (LOWER) SET SCREW |
| 9 | 281039 | - | * | * | 1 | THREAD PULLER SUPPORT ADJUSTING BLOCK (LOWER) |
| 10 | 544211-052 | - | * | * | 2 | THREAD PULLER SUPPORT ADJUSTING BLOCK (LOWER) SET SCREW |
| 11 | 281040 | - | * | * | 1 | STATIONARY KNIFE ADJUSTING BLOCK (LOWER) |
| 12 | 544211-052 | - | * | * | 2 | STATIONARY KNIFE ADJUSTING BLOCK (LOWER) SET SCREW |
| 13 | 554641 | * | * | * | 1 | HOOK SADDLE PLUG |
| 15 | 554838 | * | * | * | 1 | HOOK SHAFT COMP. |
| 16 | 554648 | * | * | * | 1 | HOOK SHAFT OIL WICK HOLDER COMP. |
| 17 | 502928 | * | * | * | 1 | HOOK SHAFT OIL FELT |
| 18 | 267053 | * | * | * | 1 | HOOK BALL BEARING |
| 19 | 514173 | * | * | * | 2 | HOOK BALL BEARING RETAINER |
| 20 | 504010-452 | * | * | * | 2 | HOOK BALL BEARING RETAINER SCREW |
| 21 | 514170 | * | * | * | 4 | HOOK SPACER |
| 21 | 554913 | * | * | * | (3) | HOOK SPACER |
| 22 | 554839 | * | * | * | 1 | OIL REGULATING SCREW |
| 23 | 544958 | * | * | * | 1 | OIL REGULATING SCREW SPRING |
| 24 | 554919 | * | * | * | 1 | HOOK DRIVING PINION COMP. |
| 25 | 544325 | * | * | * | 1 | HOOK DRIVING PINION SET SCREW |
| 26 | 554645 | * | * | * | 1 | BOBBIN CASE OPENER CAM SHAFT ACTUATING GEAR COMP. |
| 27 | 544207-011 | * | * | * | 2 | BOBBIN CASE OPENER CAM SHAFT ACTUATING GEAR SET SCREW |
| 28 | 282788 | * | * | * | 1 | BOBBIN CASE OPENER CAM SHAFT GEAR COMP. |
| 29 | 282789 | * | * | * | 1 | BOBBIN CASE OPENER CAM SHAFT GEAR COMP. |
| 30 | 544207-011 | * | * | * | 2 | BOBBIN CASE OPENER CAM SHAFT GEAR SET SCREW |
| 31 | 282798 | * | * | * | 1 | BOBBIN CASE OPENER CAM SHAFT SPACER |
| 33 | 282802 | * | * | * | 1 | BOBBIN CASE OPENER CRANK LINK |
| 34 | 544356 | * | * | * | 1 | BOBBIN CASE OPENER CRANK LINK CAP SCREW |
| 35 | 412283 | * | * | * | 1 | BOBBIN CASE OPENER CRANK HINGE STUD |
| 36 | 544383 | * | * | * | 1 | BOBBIN CASE OPENER CRANK HINGE STUD SCREW |
| 37 | 282792 | * | * | * | 1 | BOBBIN CASE OPENER CRANK COMP. |
| 38 | 544356 | * | * | * | 1 | BOBBIN CASE OPENER CRANK CAP SCREW |
| 39 | 554659 | * | * | * | 1 | HOOK SADDLE OIL RESERVOIR BRACKET |
| 40 | 554668 | * | * | * | 1 | HOOK SADDLE OIL RESERVOIR BRACKET GASKET |
| 41 | 281046 | * | * | * | 1 | HOOK OIL FELT |
| 42 | 554608 | * | * | * | 1 | HOOK OIL FELT RETAINER |
| 43 | 544211-003 | * | * | * | 3 | HOOK OIL FELT RETAINER SCREW |
| 44 | 554658 | * | * | * | 1 | HOOK SADDLE OIL RESERVOIR GASKET |
| 45 | 554661 | * | * | * | 1 | HOOK SADDLE OIL RESERVOIR GASKET |
| 46 | 554660 | * | * | * | 1 | HOOK SADDLE OIL RESERVOIR RING |
| 47 | 367314 | * | * | * | 1 | HOOK SADDLE OIL RESERVOIR PLUG |
| 48 | 554826 | * | * | * | 1 | HOOK AND BOBBIN CASE COMP. |
| 50 | 554828 | * | * | * | 1 | HOOK (BODY) |
| 51 | 555068 | * | * | * | 1 | HOOK GIB |
| 52 | 500520 | * | * | * | 3 | HOOK GIB SCREW |
| 53 | 281155 | * | * | * | 1 | BOBBIN CASE COMP. |
| 56 | 281157 | * | * | * | 1 | BOBBIN CASE TENSION SPRING |
| 57 | 500519 | * | * | * | 1 | BOBBIN CASE TENSION SPRING REGULATING SCREW |
| 58 | 500518 | * | * | * | 1 | BOBBIN CASE TENSION SPRING SCREW |
| 59 | 281056 | - | * | * | 1 | THREAD PULLER SUPPORT ADJUSTING BLOCK (UPPER) |

| NO. | PART NO. | 939A | 939J | 939K | QTY | DESCRIPTION |
|-----|------------|------|------|------|-----|---|
| 60 | 543376 | - | * | * | 1 | THREAD PULLER SUPPORT ADJUSTING BLOCK (UPPER) ECCENTRIC PIN |
| 61 | 544207-011 | - | * | * | 1 | THREAD PULLER SUPPORT ADJUSTING BLOCK (UPPER) ECCENTRIC PIN SET SCREW |
| 63 | 281055 | - | * | * | 1 | THREAD PULLER SUPPORT TRAPPER ADJUSTING SCREW |
| 64 | 374475 | - | * | * | 1 | TRAPPER ADJUSTING SCREW |
| 65 | 541159 | - | * | * | 1 | TRAPPER ADJUSTING SCREW NUT |
| 66 | 374478 | - | * | * | 2 | THREAD PULLER SUPPORT SCREW |
| 67 | 281057 | - | * | * | 1 | TRAPPER |
| 68 | 544413 | - | * | * | 1 | TRAPPER SET SCREW |
| 69 | 408386 | - | * | * | 1 | TRAPPER SET SCREW WASHER |
| 70 | 548228 | - | * | * | 1 | TRAPPER ADJUSTING WASHER (t=0.13M/M) |
| 71 | 281059 | - | * | * | 1 | STATIONARY KNIFE ADJUSTING BLOCK (UPPER) |
| 72 | 281060 | * | - | * | 1 | STATIONARY KNIFE ADJUSTING BLOCK (UPPER) ECCENTRIC PIN |
| 73 | 544207-011 | - | * | * | 1 | STATIONARY KNIFE ADJUSTING BLOCK (UPPER) ECCENTRIC PIN SET SCREW |
| 74 | 281058 | - | * | * | 1 | STATIONARY KNIFE |
| 75 | 374476 | - | * | * | 2 | STATIONARY KNIFE SET SCREW |
| 76 | 281180-001 | - | * | * | 1 | THREAD PULLER |
| 77 | 544088 | - | * | * | 2 | THREAD PULLER SCREW |
| 78 | 282803 | - | * | * | 1 | THREAD PULLER RETAINER BRACKET COMP. |
| 79 | 281064 | - | * | * | 1 | THREAD PULLER RETAINER BRACKET SHAFT COLLAR COMP. |
| 80 | 544207-011 | - | * | * | 2 | THREAD PULLER RETAINER BRACKET SHAFT COLLAR SET SCREW |
| 81 | 552891 | * | * | * | 1 | HOOK DRIVING PINION OIL FELT, OIL FELT BRACKET COMP. |
| 82 | 552892 | * | * | * | 1 | HOOK DRIVING PINION OIL FELT, OIL FELT BRACKET COMP. |
| 85 | 552893 | * | * | * | 1 | PACKING (WICK) COMP. HOOK DRIVING PINION OIL FELT BRACKET |
| 86 | 544211-002 | * | * | * | 1 | HOOK DRIVING PINION OIL FELT BRACKET SCREW |
| 87 | 282793 | * | * | * | 1 | BOBBIN CASE OPENER |
| 88 | 549027 | * | * | * | 1 | BOBBIN CASE OPENER SCREW |
| 89 | 282768 | * | * | * | 1 | BOBBIN |
| 90 | 412115 | * | * | * | 1 | PINCH SLEEVE (UPPER) |
| 91 | 267139 | * | * | * | 1 | PINCH SLEEVE (LOWER) |
| 92 | 544364 | * | * | * | 1 | PINCH SLEEVE SCREW |
| 93 | 414742 | * | * | * | 1 | HOOK SADDLE (LEFT) SCREW |
| 94 | 225585 | * | * | * | 1 | HOOK SADDLE (LEFT) SCREW WASHER |
| 95 | 417269 | - | * | * | 1 | ANTI SPILL SPRING |
| 96 | 544329 | * | * | * | 1 | HOOK DRIVING PINION POSITION SCREW |

From the library of: Diamond Needle Corp.

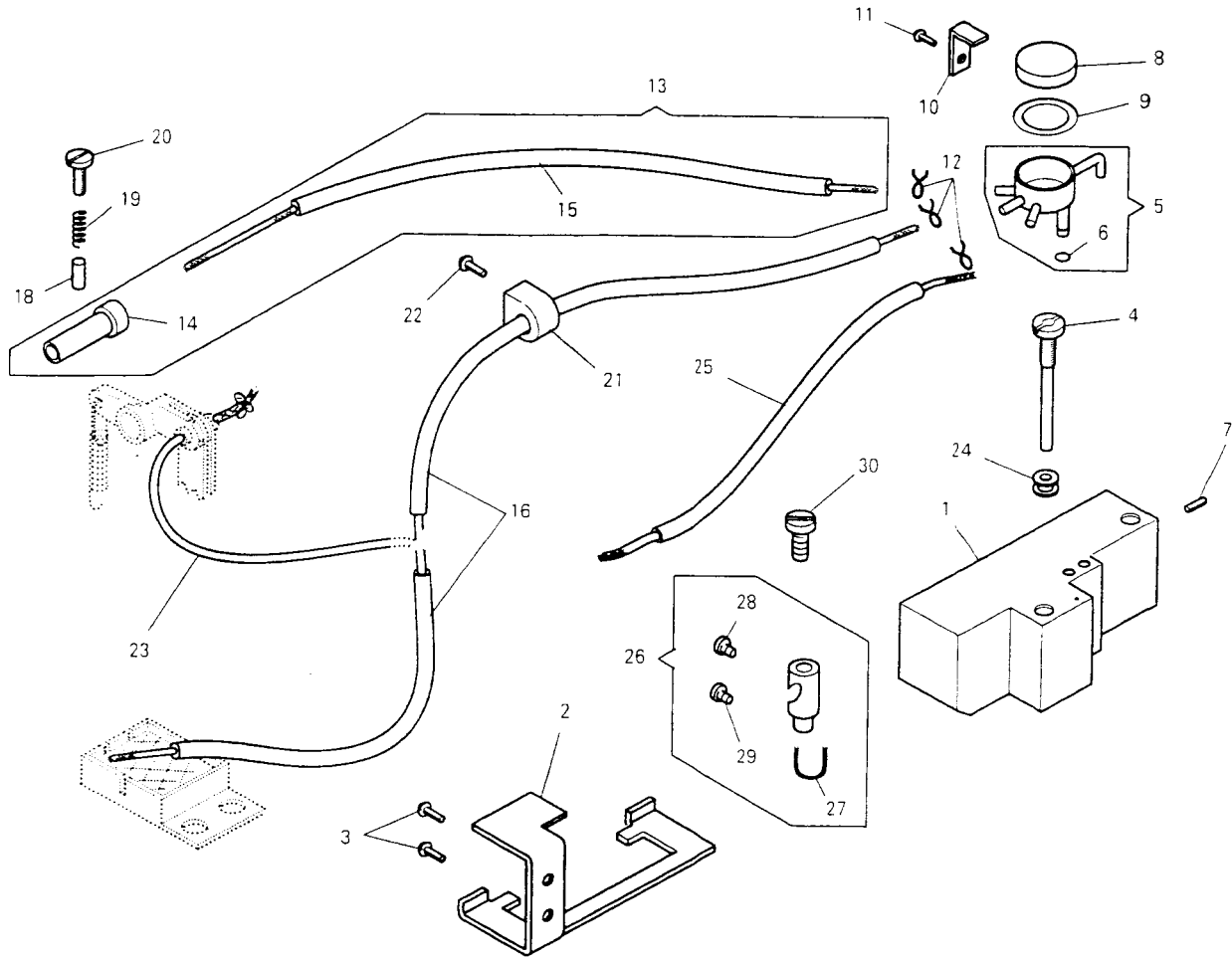
LUBRICATION (PLUNGER PUMP)



| NO. | PART NO. | 939A | 939J | 939K | QTY | DESCRIPTION | NO. | PART NO. | 939A | 939J | 939K | QTY | DESCRIPTION |
|-----|------------|------|------|------|-----|--|-----|----------|------|------|------|-----|--------------------------------------|
| 1 | 554346 | * | * | * | 1 | PLUNGER PUMP COMP | 30 | 554859 | * | * | * | 1 | OIL REMOVING LINT SCREEN RETAINER |
| 2 | 554347 | * | * | * | 1 | PLUNGER PUMP (BODY) COMP. | 31 | 411584 | * | * | * | 1 | OIL TUBE RETAINER |
| 3 | 554349 | * | * | * | 2 | OIL SEAL | | | | | | | |
| 4 | 554351 | * | * | * | 1 | PLUNGER PUMP ROTOR | | | | | | | |
| 5 | 554353 | * | * | * | 1 | PLUNGER PUMP ROTER RETAINER | | | | | | | |
| 6 | 544211-002 | * | * | * | 2 | PLUNGER PUMP ROTER RETAINER SCREW | | | | | | | |
| 7 | 554352 | * | * | * | 1 | PLUNGER PUMP ROTOR COLLAR | | | | | | | |
| 8 | 549293 | * | * | * | 2 | PLUNGER PUMP ROTOR COLLAR SET SCREW | | | | | | | |
| 9 | 540556 | * | * | * | 2 | PLUNGER PUMP PISTON | | | | | | | |
| 10 | 410710 | * | * | * | 2 | PLUNGER PUMP PISTON SPRING | | | | | | | |
| 11 | 554354 | * | * | * | 2 | PLUNGER PUMP PISTON SPRING RETAINER | | | | | | | |
| 12 | 544211-002 | * | * | * | 4 | PLUNGER PUMP PISTON SPRING RETAINER SCREW | | | | | | | |
| 13 | 552826 | * | * | * | 1 | OIL TUBE (SUCTION) | | | | | | | |
| 14 | 552827 | * | * | * | 1 | OIL TUBE (DISCHARGE) | | | | | | | |
| 15 | 552809 | * | * | * | 3 | OIL TUBE CLIP | | | | | | | |
| 16 | 552833 | * | * | * | 1 | OIL REMOVING TUBE (SUCTION) COMP. | | | | | | | |
| 17 | 552810 | * | * | * | 1 | OIL REMOVING TUBE CLIP | | | | | | | |
| 18 | 554464 | * | * | * | 1 | OIL REMOVING TUBE (DISCHARGE) CLIP | | | | | | | |
| 19 | 552810 | * | * | * | 1 | OIL REMOVING TUBE (DISCHARGE) CLIP | | | | | | | |
| 20 | 374543 | * | * | * | 1 | PLUNGER PUMP SUPPORT SCREW | | | | | | | |
| 21 | 552546-401 | * | * | * | 1 | OIL GAUGE COMP. | | | | | | | |
| 22 | 552828 | * | * | * | 1 | OIL TUBE (FOR OIL GAUGE) | | | | | | | |
| 23 | 552809 | * | * | * | 2 | OIL TUBE (FOR OIL GAUGE) CLIP | | | | | | | |
| 24 | 545071 | * | * | * | 1 | OIL GAUGE SCREW | | | | | | | |
| 25 | 554537 | * | * | * | 2 | OIL TUBE RETAINER | | | | | | | |
| 26 | 544217-052 | * | * | * | 1 | OIL TUBE RETAINER SCREW | | | | | | | |
| 27 | 554861 | * | * | * | 1 | OIL REMOVING LINT SCREEN BRACKET | | | | | | | |
| 28 | 554857 | * | * | * | 1 | OIL REMOVING LINT SCREEN BRACKET | | | | | | | |
| 29 | 544269 | * | * | * | 1 | OIL REMOVING LINT SCREEN BRACKET SCREW | | | | | | | |

From the library of Diamond Needle Corp

LUBRICATION (OIL RESERVOIR)

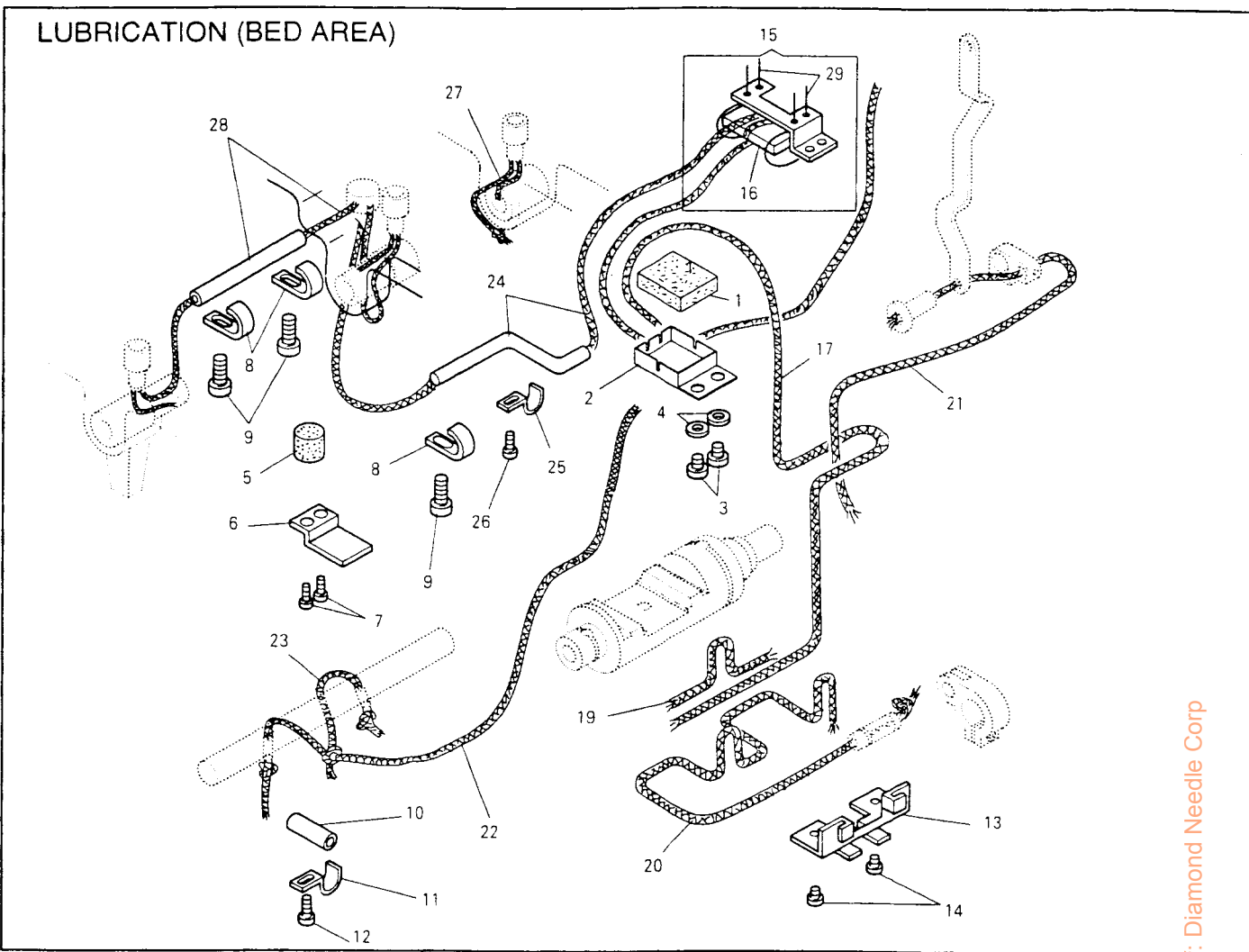


| NO. | PART NO. | 939A | 939J | 939K | QTY | DESCRIPTION |
|-----|------------|------|------|------|-----|--|
| 1 | 552548 | * | * | * | 1 | OIL RESERVOIR |
| 2 | 554574 | * | * | * | 1 | OIL RESERVOIR BRACKET |
| 3 | 374399-002 | * | * | * | 2 | OIL RESERVOIR BRACKET SCREW |
| 4 | 374560 | * | * | * | 1 | OIL SUPPLY SLEEVE SCREW |
| 5 | 554362 | * | * | * | 1 | OIL DISTRIBUTOR AND O-RING COMP. |
| 6 | 543871-006 | * | * | * | 1 | OIL DISTRIBUTOR O-RING |
| 7 | 544202-002 | * | * | * | 1 | OIL DISTRIBUTOR SCREW |
| 8 | 552507 | * | * | * | 1 | OIL DISTRIBUTOR CAP |
| 9 | 554439 | * | * | * | 1 | OIL DISTRIBUTOR CAP O-RING |
| 10 | 552476 | * | * | * | 1 | OIL DISTRIBUTOR CAP RETAINER |
| 11 | 544216-001 | * | * | * | 1 | OIL DISTRIBUTOR CAP RETAINER SCREW |
| 12 | 552809 | * | * | * | 3 | OIL DISTRIBUTOR TUBE CLIP |
| 13 | 554314 | * | * | * | 1 | TAKE-UP LEVER OIL TUBE, OIL FLOW ADJUSTING RUBBER SLEEVE COMP. |
| 14 | 554313 | * | * | * | 1 | TAKE-UP LEVER OIL FLOW ADJUSTING RUBBER SLEEVE |
| 15 | 552830 | * | * | * | 1 | TAKE-UP LEVER OIL TUBE AND WICK COMP. |
| 16 | 552831 | * | * | * | 1 | OIL TUBE (FOR BED) COMP. |
| 18 | 554311 | * | * | * | 1 | TAKE-UP LEVER OIL FLOW ADJUSTING PIN |
| 19 | 554863 | * | * | * | 1 | TAKE-UP LEVER OIL FLOW ADJUSTING SCREW SPRING |
| 20 | 544290 | * | * | * | 1 | TAKE-UP LEVER OIL FLOW ADJUSTING SCREW |
| 21 | 554528 | * | * | * | 1 | OIL FLOW ADJUSTING COLLAR |
| 22 | 545136-452 | * | * | * | 1 | OIL FLOW ADJUSTING COLLAR SCREW |
| 23 | 554523 | * | * | * | 1 | FEED REGULATOR SHAFT ARM STUD OIL WICK |
| 24 | 543883 | * | * | * | 1 | OIL RESERVOIR GROMMETS |
| 25 | 554844 | * | * | * | 1 | OIL TUBE (FOR LIFTING ECC CONNECTION) COMP. |
| 26 | 554795 | * | * | * | 1 | LIFTING ECC. CONNECTION OIL WICK SUPPORT COMP. |
| 27 | 554465-016 | * | * | * | 1 | LIFTING ECC. CONNECTION OIL WICK |
| 28 | 544212-001 | * | * | * | 1 | LIFTING ECC. CONNECTION OIL WICK SUPPORT SET SCREW |

| NO. | PART NO. | 939A | 939J | 939K | QTY | DESCRIPTION |
|-----|------------|------|------|------|-----|--|
| 29 | 544211-001 | * | * | * | 1 | LIFTING ECC. CONNECTION OIL WICK SET SCREW |
| 30 | 544214-005 | * | * | * | 1 | LIFTING ECC. CONNECTION OIL WICK SUPPORT SCREW |

From the library of: Diamond Needle Corp

LUBRICATION (BED AREA)

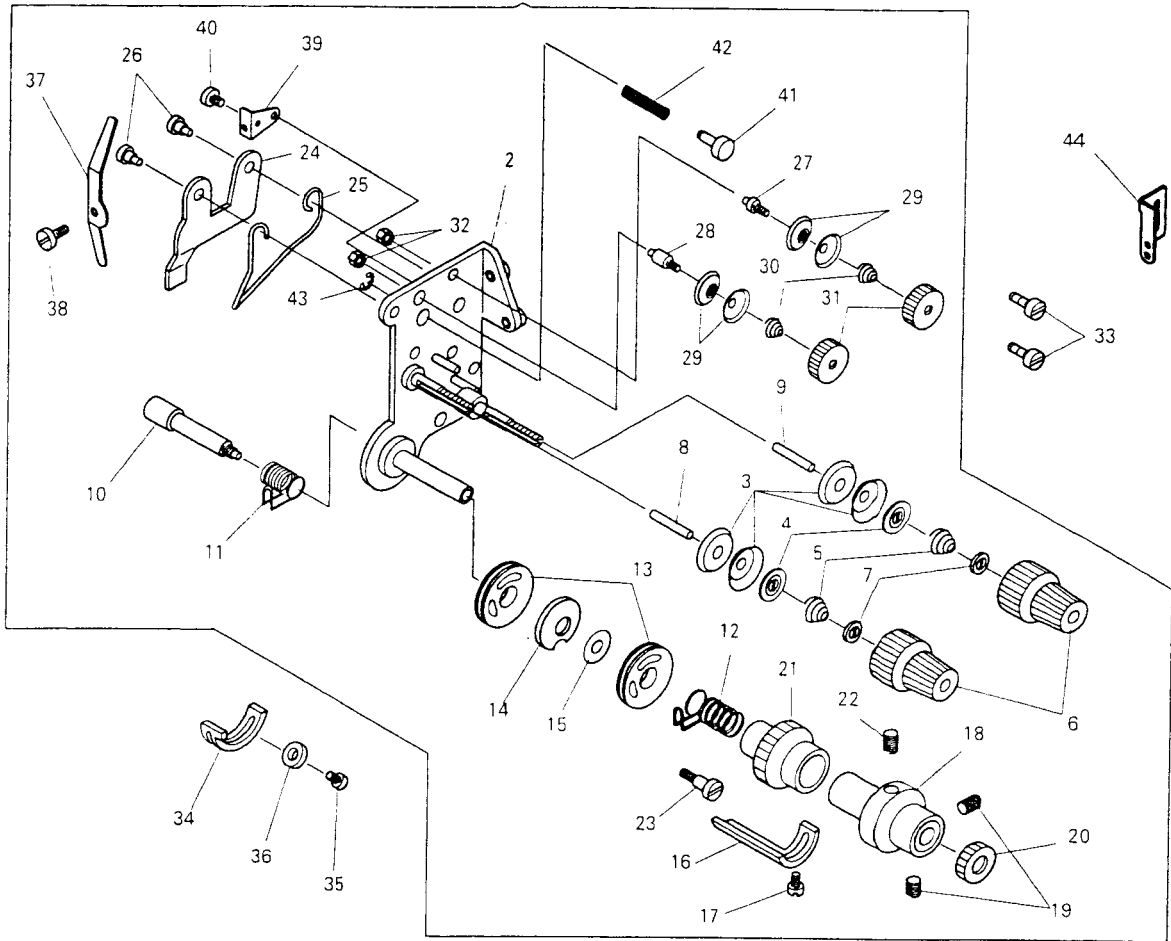


| NO | PART NO. | 939A | 939J | 939K | QTY | DESCRIPTION |
|----|------------|------|------|------|-----|--|
| 1 | 552551 | * | * | * | 1 | BED OIL FELT |
| 2 | 552552 | * | * | * | 1 | BED OIL FELT BARCKET |
| 3 | 544212-052 | * | * | * | 2 | BED OIL FELT BRACKET SCREW |
| 4 | 543803-003 | * | * | * | 2 | BED OIL FELT BRACKET SCREW WASHER |
| 5 | 552553 | * | * | * | 1 | HOOK DRIVING SHAFT OIL FELT BRACKET |
| 6 | 552554 | * | * | * | 1 | HOOK DRIVING SHAFT OIL FELT BRACKET SCREW |
| 7 | 544212-051 | * | * | * | 2 | HOOK DRIVING SHAFT OIL FELT BRACKET SCREW |
| 8 | 552555 | * | * | * | 3 | HOOK DRIVING SHAFT OIL WICK TUBE RETAINER |
| 9 | 544212-051 | * | * | * | 3 | HOOK DRIVING SHAFT OIL WICK TUBE RETAINER SCREW |
| 10 | 552556 | * | * | * | 1 | FEED ROCK SHAFT OIL WICK TUBE RETAINER |
| 11 | 418604 | * | * | * | 1 | FEED ROCK SHAFT OIL WICK TUBE RETAINER SCREW |
| 12 | 544212-051 | * | * | * | 1 | FEED ROCK SHAFT OIL WICK TUBE RETAINER SCREW |
| 13 | 552557 | * | * | * | 1 | FEED ROCK SHAFT DRIVING FRAME OIL WICK BRACKET |
| 14 | 544212-001 | * | * | * | 2 | FEED ROCK SHAFT DRIVING FRAME OIL WICK BRACKET SCREW |
| 15 | 554440 | * | * | * | 1 | FEED DRIVING ECCENTRIC CONNECTION FELT COMP |
| 16 | 554441 | * | * | * | 1 | FEED DRIVING ECCENTRIC CONNECTION FELT |
| 17 | 554465-006 | * | * | * | 1 | FEED ROCK SHAFT DRIVING FRAME OIL WICK (LONG) |
| 19 | 554524 | * | * | * | 1 | FEED ROCK SHAFT DRIVING LINK OIL WICK |
| 20 | 554465-007 | * | * | * | 1 | FEED ROCK SHAFT CRANK PIN OIL WICK |
| 21 | 554465-001 | * | * | * | 1 | NEEDLE BAR ROCK FRAME ROCK SHAFT CRANK OIL WICK |
| 22 | 554465-013 | * | * | * | 1 | FEED ROCK SHAFT OIL WICK |

| NO | PART NO. | 939A | 939J | 939K | QTY | DESCRIPTION |
|----|------------|------|------|------|-----|--|
| 23 | 554465-012 | * | * | * | 1 | FEED ROCK SHAFT OIL WICK (RIGHT) |
| 24 | 554467 | * | * | * | 1 | HOOK DRIVING SHAFT OIL TUBE AND WICK |
| 25 | 418604 | * | * | * | 1 | HOOK DRIVING SHAFT OIL TUBE RETAINER (SMALL) |
| 26 | 544212-051 | * | * | * | 1 | HOOK DRIVING SHAFT OIL TUBE RETAINER (SMALL) SCREW |
| 27 | 554465-010 | * | * | * | 1 | HOOK DRIVING SHAFT BUSHING (CENTER) OIL WICK |
| 28 | 554468 | * | * | * | 1 | HOOK DRIVING SHAFT BUSHING (FRONT) OIL TUBE COMP. |
| 29 | 554781 | * | * | * | 2 | FEED DRIVING ECCENTRIC CONNECTION FELT CORD. |

From the library of: Diamond Needle Corp

TENSION

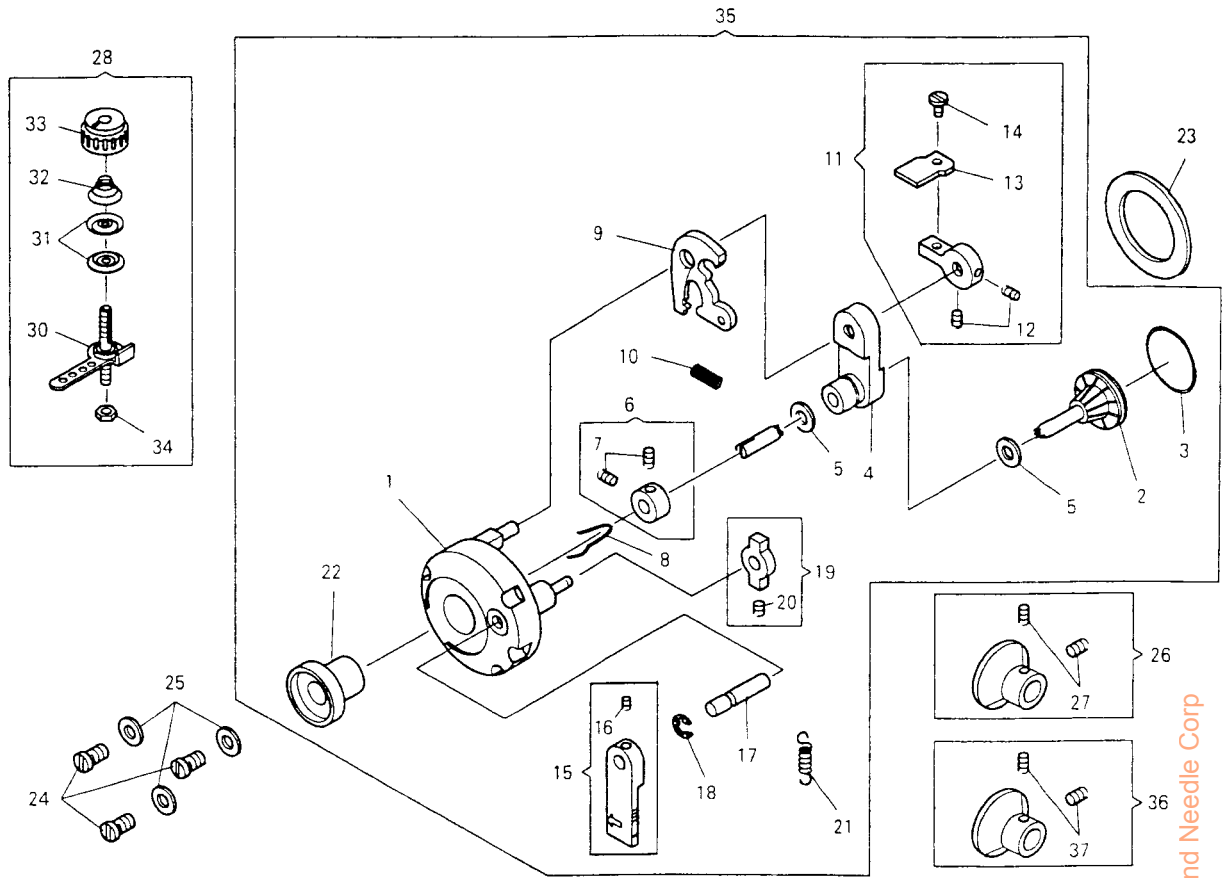


| NO. | PART NO. | 939A | 939J | 939K | QTY | DESCRIPTION |
|-----|------------|------|------|------|-----|--|
| 1 | 552558 | * | 1 | * | 1 | TENSION BRACKET COMP. |
| 1 | 554931 | * | * | * | 1 | TENSION BRACKET COMP. |
| 2 | 552559 | * | * | * | 1 | TENSION BRACKET BODY COMP. |
| 3 | 2102 | * | * | * | 4 | TENSION DISC |
| 4 | 414273 | * | * | * | 2 | TENSION RELEASE WASHER |
| 5 | 552836 | * | * | * | 2 | TENSION SPRING |
| 6 | 552838 | * | * | * | 2 | TENSION REGULATING THUMB NUT |
| 7 | 411154 | * | * | * | 2 | TENSION REGULATING THUMB NUT WASHER |
| 8 | 552563-001 | * | * | * | 1 | TENSION RELEASE PLUNGER (SHORT) |
| 9 | 552563-003 | * | * | * | 1 | TENSION RELEASE PLUNGER (LONG) |
| 10 | 552843 | * | * | * | 1 | THREAD CONTROLLER STUD |
| 11 | 412407 | * | * | * | 1 | THREAD CONTROLLER SPRING (BACK) |
| 12 | 552842 | * | * | * | 1 | THREAD CONTROLLER SPRING (FRONT) |
| 13 | 412202 | * | * | * | 2 | THREAD CONTROLLER DISC |
| 14 | 552900 | * | * | * | 1 | THREAD CONTROLLER DISC WASHER (LARGE) |
| 15 | 367380 | * | * | * | 1 | THREAD CONTROLLER DISC WASHER (SMALL) |
| 16 | 552839 | * | * | * | 1 | THREAD CONTROLLER SPRING (FRONT) STOP |
| 17 | 544211-001 | * | * | * | 1 | THREAD CONTROLLER SPRING (FRONT) STOP SCREW |
| 18 | 552840 | * | * | * | 1 | THREAD CONTROLLER SPRING HOLDER SLEEVE |
| 19 | 544202-002 | * | * | * | 2 | THREAD CONTROLLER SPRING HOLDER SLEEVE SCREW |
| 20 | 552841 | * | * | * | 1 | THREAD CONTROLLER STUD NUT |
| 21 | 552845 | * | * | * | 1 | THREAD CONTROLLER SPRING HOLDER |
| 22 | 544203-001 | * | * | * | 1 | THREAD CONTROLLER SPRING HOLDER SCREW |
| 23 | 414770 | * | * | * | 1 | THREAD CONTROLLER DISC SCREW |
| 24 | 417124 | * | * | * | 1 | TENSION RELEASE PLATE |
| 25 | 412200 | * | * | * | 1 | TENSION RELEASE PLATE SPRING |

| NO. | PART NO. | 939A | 939J | 939K | QTY | DESCRIPTION |
|-----|------------|------|------|------|-----|---|
| 26 | 544343 | * | * | * | 2 | TENSION RELEASE PLATE SCREW |
| 27 | 552567 | * | * | * | 1 | PRE-TENSION STUD (SHORT) |
| 28 | 552568 | * | * | * | 1 | PRE-TENSION STUD (LONG) |
| 29 | 417122 | * | * | * | 4 | PRE-TENSION DISC |
| 30 | 417123 | * | * | * | 2 | PRE-TENSION SPRING |
| 31 | 414784 | * | * | * | 2 | PRE-TENSION THUMB NUT |
| 32 | 414783 | * | * | * | 2 | PRE-TENSION STUD LOCK NUT |
| 33 | 549168 | * | * | * | 2 | TENSION BRACKET SCREW |
| 34 | 412419 | * | * | * | 1 | THREAD CONTROLLER SPRING (BACK) STOP |
| 35 | 545092 | * | * | * | 1 | THREAD CONTROLLER SPRING (BACK) STOP SCREW |
| 36 | 543805-003 | * | * | * | 1 | THREAD CONTROLLER SPRING (BACK) STOP SCREW WASHER |
| 37 | 417126 | — | * | * | 1 | TENSION RELEASE LEVER |
| 38 | 414786 | — | * | * | 1 | TENSION RELEASE LEVER SCREW |
| 39 | 417125 | — | * | * | 1 | TENSION RELEASE LEVER BRACKET |
| 40 | 414785 | — | * | * | 1 | TENSION RELEASE LEVER BRACKET SCREW |
| 41 | 417127 | — | * | * | 1 | TENSION RELEASE BUTTON |
| 42 | 417128 | — | * | * | 1 | TENSION RELEASE BUTTON SPRING |
| 43 | 543801-006 | — | * | * | 1 | TENSION RELEASE BUTTON RETAINING RING |
| 44 | 554682 | * | * | * | 1 | ARM THREAD GUIDE |

From the library of: Diamond Needle Corp

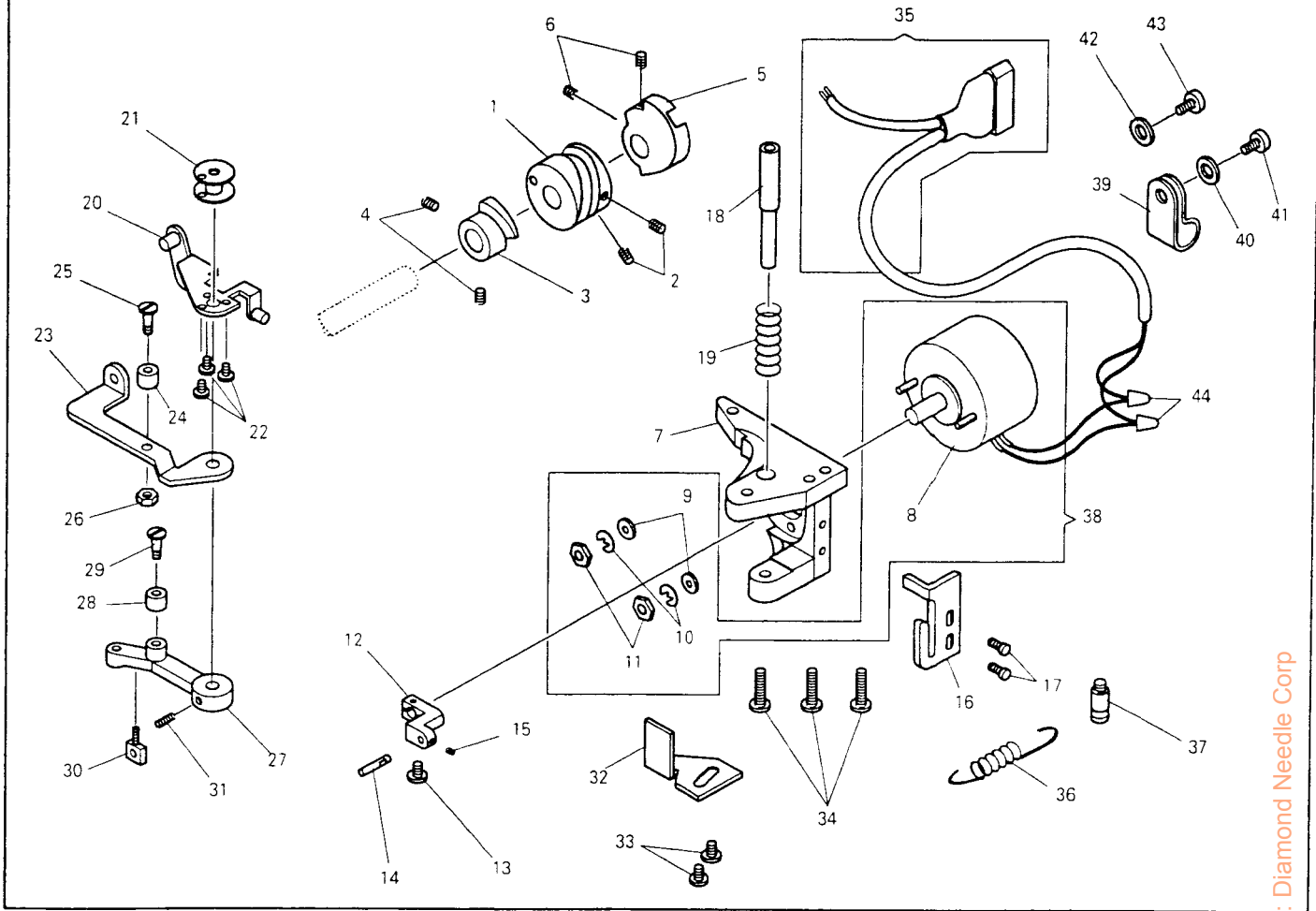
BOBBIN WINDER



| NO. | PART NO. | 939A | 939J | 939K | QTY | DESCRIPTION |
|-----|------------|------|------|------|-----|---|
| 1 | 552570 | * | * | * | 2 | BOBBIN WINDER (BODY) |
| 2 | 552573 | * | * | * | 2 | BOBBIN WINDER PULLEY |
| 3 | 543871-020 | * | * | * | 2 | BOBBIN WINDER PULLEY RING |
| 4 | 552575 | * | * | * | 2 | BOBBIN WINDER BRACKET |
| 5 | 546844 | * | * | * | 4 | BOBBIN WINDER SPINDLE THRUST WASHER |
| 6 | 282758 | * | * | * | 2 | BOBBIN WINDER SPINDLE STOP COLLAR COMPLETE |
| 7 | 544206-011 | * | * | * | 4 | BOBBIN WINDER SPINDLE STOP COLLAR SET SCREW |
| 8 | 282995 | * | * | * | 2 | BOBBIN WINDER SPINDLE SPRING |
| 9 | 282757 | * | * | * | 2 | BOBBIN WINDER BRACKET ACTUATING PLATE |
| 10 | 282994 | * | * | * | 2 | BOBBIN WINDER BRACKET SPRING |
| 11 | 552576 | * | * | * | 2 | BOBBIN WINDER STOPPER BRACKET COMP. |
| 12 | 544207-013 | * | * | * | 4 | BOBBIN WINDER STOPPER BRACKET SCREW |
| 13 | 552577 | * | * | * | 2 | BOBBIN WINDER STOPPER |
| 14 | 374398-002 | * | * | * | 2 | BOBBIN WINDER STOPPER SCREW |
| 15 | 552578 | * | * | * | 2 | BOBBIN WINDER STOP LATCH |
| 16 | 544208-005 | * | * | * | 2 | COMPLETE BOBBIN WINDER STOP LATCH SET SCREW |
| 17 | 368025 | * | * | * | 2 | BOBBIN WINDER STOP LATCH STUD |
| 18 | 543860-005 | * | * | * | 2 | BOBBIN WINDER STOP LATCH STUD SNAP RING |
| 19 | 368026 | * | * | * | 2 | BOBBIN WINDER REGULATOR COMPLETE |
| 20 | 544208-005 | * | * | * | 2 | BOBBIN WINDER REGULATOR SET SCREW |
| 21 | 544865 | * | * | * | 2 | BOBBIN WINDER SPRING |
| 22 | 282759-451 | * | * | * | 2 | BOBBIN WINDER SPINDLE THREAD GUARD |
| 23 | 554312 | * | * | * | 2 | BOBBIN WINDER PACKING |
| 24 | 544217-001 | * | * | * | 6 | BOBBIN WINDER SCREW |
| 25 | 543803-003 | * | * | * | 6 | BOBBIN WINDER SCREW WASHER |

| NO. | PART NO. | 939A | 939J | 939K | QTY | DESCRIPTION |
|-----|------------|------|------|------|-----|---|
| 26 | 554409 | * | * | * | 1 | BOBBIN WINDER DRIVING WHEEL (RIGHT) COMPLETE |
| 27 | 544207-012 | * | * | * | 2 | BOBBIN WINDER DRIVING WHEEL (RIGHT) SET SCREW |
| 28 | 552579 | * | * | * | 2 | BOBBIN WINDER TENSION COMPLETE |
| 30 | 552580 | * | * | * | 2 | BOBBIN WINDER TENSION STUD COMP. |
| 31 | 547247 | * | * | * | 4 | BOBBIN WINDER TENSION DISC |
| 32 | 547246 | * | * | * | 2 | BOBBIN WINDER TENSION SPRING |
| 33 | 368033 | * | * | * | 2 | BOBBIN WINDER TENSION REGULATING THUMB NUT |
| 34 | 541186 | * | * | * | 2 | BOBBIN WINDER TENSION STUD LOCK NUT |
| 35 | 552569 | * | * | * | 2 | BOBBIN WINDER COMP. |
| 36 | 554853 | * | * | * | 1 | BOBBIN WINDER DRIVING WHEEL (LEFT) COMPLETE |
| 37 | 544207-012 | * | * | * | 2 | BOBBIN WINDER DRIVING WHEEL (LEFT) SET SCREW |

THREAD TRIMMER 1

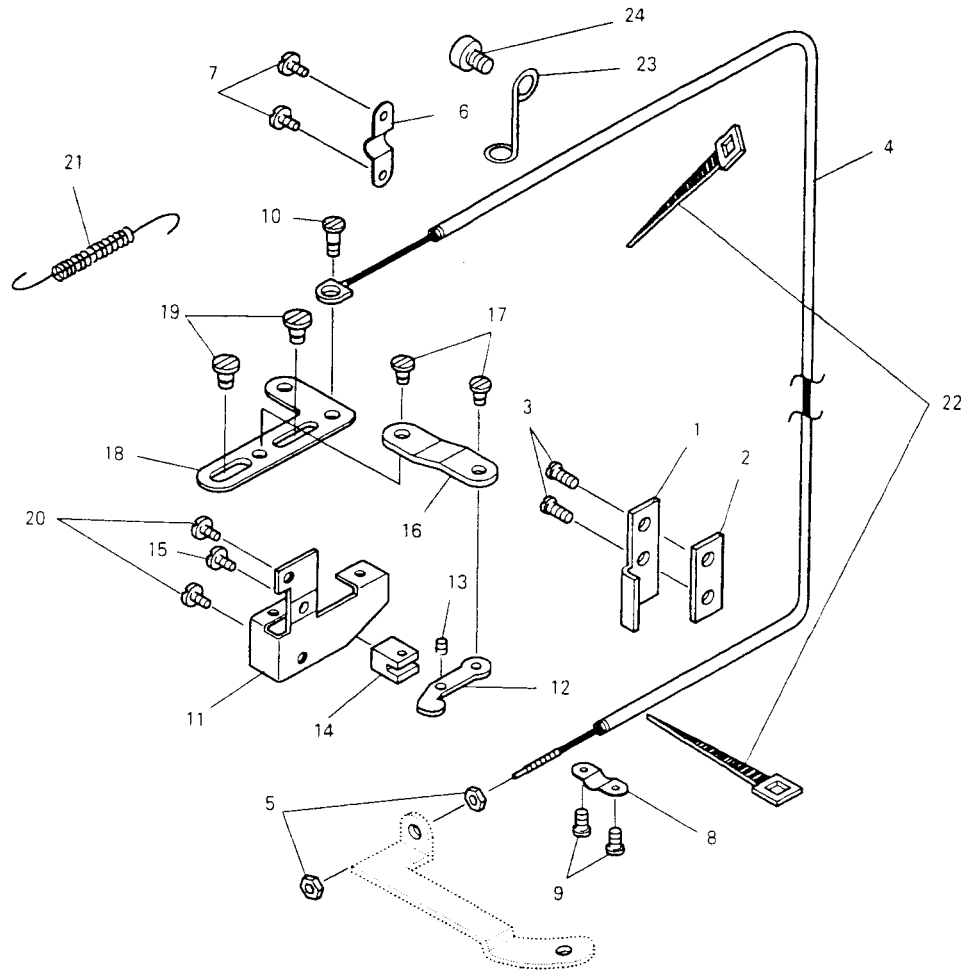


| NO. | PART NO. | 939A | 939J | 939K | QTY | DESCRIPTION |
|-----|------------|------|------|------|-----|---|
| 1 | 281184 | - | - | - | 1 | TRIMMER CAM |
| 2 | 374029 | - | - | - | 2 | TRIMMER CAM SET SCREW |
| 3 | 281013 | - | - | - | 1 | TENSION RELEASING CAM |
| 4 | 504028 | - | - | - | 2 | TENSION RELEASING CAM SET SCREW |
| 5 | 281014 | - | - | - | 1 | TRIMMER POSITIVE MOTION CAM |
| 6 | 544208-005 | - | - | - | 2 | TRIMMER POSITIVE MOTION CAM SET SCREW |
| 7 | 552585 | - | - | - | 1 | TRIMMER SOLENOID BRACKET |
| 8 | 369334 | - | - | - | 1 | TRIMMER SOLENOID |
| 9 | 543804-003 | - | - | - | 2 | TRIMMER SOLENOID WASHER |
| 10 | 543805-003 | - | - | - | 2 | TRIMMER SOLENOID SPRING WASHER |
| 11 | 541165-003 | - | - | - | 2 | TRIMMER SOLENOID NUT |
| 12 | 552586 | - | - | - | 1 | TRIMMER SOLENOID ARM |
| 13 | 545095 | - | - | - | 1 | TRIMMER SOLENOID ARM SCREW |
| 14 | 416772 | - | - | - | 1 | TRIMMER SOLENOID ARM PIN |
| 15 | 545072 | - | - | - | 1 | TRIMMER SOLENOID ARM PIN SCREW |
| 16 | 281020 | - | - | - | 1 | TRIMMER SOLENOID ARM STOPPER |
| 17 | 190-850 | - | - | - | 2 | TRIMMER SOLENOID ARM STOPPER SCREW |
| 18 | 281021 | - | - | - | 1 | TRIMMER LEVER SHAFT |
| 19 | 281022 | - | - | - | 1 | TRIMMER LEVER SHAFT SPRING |
| 20 | 281023 | - | - | - | 1 | TRIMMER POSITIVE MOTION BRACKET COMPLETE |
| 21 | 416777 | - | - | - | 1 | TRIMMER POSITIVE MOTION BRACKET BOSS |
| 22 | 549120 | - | - | - | 3 | TRIMMER POSITIVE MOTION BRACKET BOSS SCREW |
| 23 | 552588 | - | - | - | 1 | TENSION RELEASE DRIVING LEVER |
| 24 | 416780 | - | - | - | 1 | TENSION RELEASING CAM ROLLER |
| 25 | 414773-451 | - | - | - | 1 | TENSION RELEASING CAM ROLLER SCREW |
| 26 | 545409 | - | - | - | 1 | TENSION RELEASING CAM ROLLER SCREW LOCK NUT |
| 27 | 552590 | - | - | - | 1 | TRIMMER LEVER |
| 28 | 416780 | - | - | - | 1 | TRIMMER CAM ROLLER |
| 29 | 414773-451 | - | - | - | 1 | TRIMMER CAM ROLLER SCREW |
| 30 | 545264 | - | - | - | 1 | TRIMMER LEVER RETURN SPRING HOOK |

| NO. | PART NO. | 939A | 939J | 939K | QTY | DESCRIPTION |
|-----|------------|------|------|------|-----|---------------------------------------|
| 31 | 544208-005 | - | - | - | 1 | TRIMMER LEVER SET SCREW |
| 32 | 552591 | - | - | - | 1 | TRIMMER LEVER STOPPER |
| 33 | 414508 | - | - | - | 2 | TRIMMER LEVER STOPPER SCREW |
| 34 | 544352 | - | - | - | 3 | TRIMMER SOLENOID BRACKET SCREW |
| 35 | 554469 | - | - | - | 1 | TRIMMER BACK TACK SOLENOID CORD COMP. |
| 35 | 554723 | - | - | - | 1 | TRIMMER SOLENOID CORD COMP. |
| 36 | 552592 | - | - | - | 1 | TRIMMER LEVER RETURN SPRING |
| 37 | 374307 | - | - | - | 1 | TRIMMER LEVER RETURN SPRING STUD |
| 38 | 369333 | - | - | - | 1 | TRIMMER SOLENOID COMP. |
| 39 | 542766-002 | - | - | - | 2 | TRIMMER SOLENOID CORD RETAINER |
| 39 | 542766-002 | - | - | - | 4 | TRIMMER SOLENOID CORD RETAINER |
| 40 | 543803-002 | - | - | - | 1 | TRIMMER SOLENOID CORD WASHER |
| 40 | 543803-002 | - | - | - | 3 | TRIMMER SOLENOID CORD WASHER |
| 41 | 504010-452 | - | - | - | 1 | TRIMMER SOLENOID CORD SCREW |
| 41 | 504010-452 | - | - | - | 3 | TRIMMER SOLENOID CORD SCREW |
| 42 | 543803-003 | - | - | - | 1 | TRIMMER SOLENOID CORD WASHER |
| 43 | 544217-052 | - | - | - | 1 | TRIMMER SOLENOID CORD SCREW |
| 44 | 417142-001 | - | - | - | 2 | TRIMMER SOLENOID WIRE CONNECTOR |

From the library of: Diamond Needle Corp

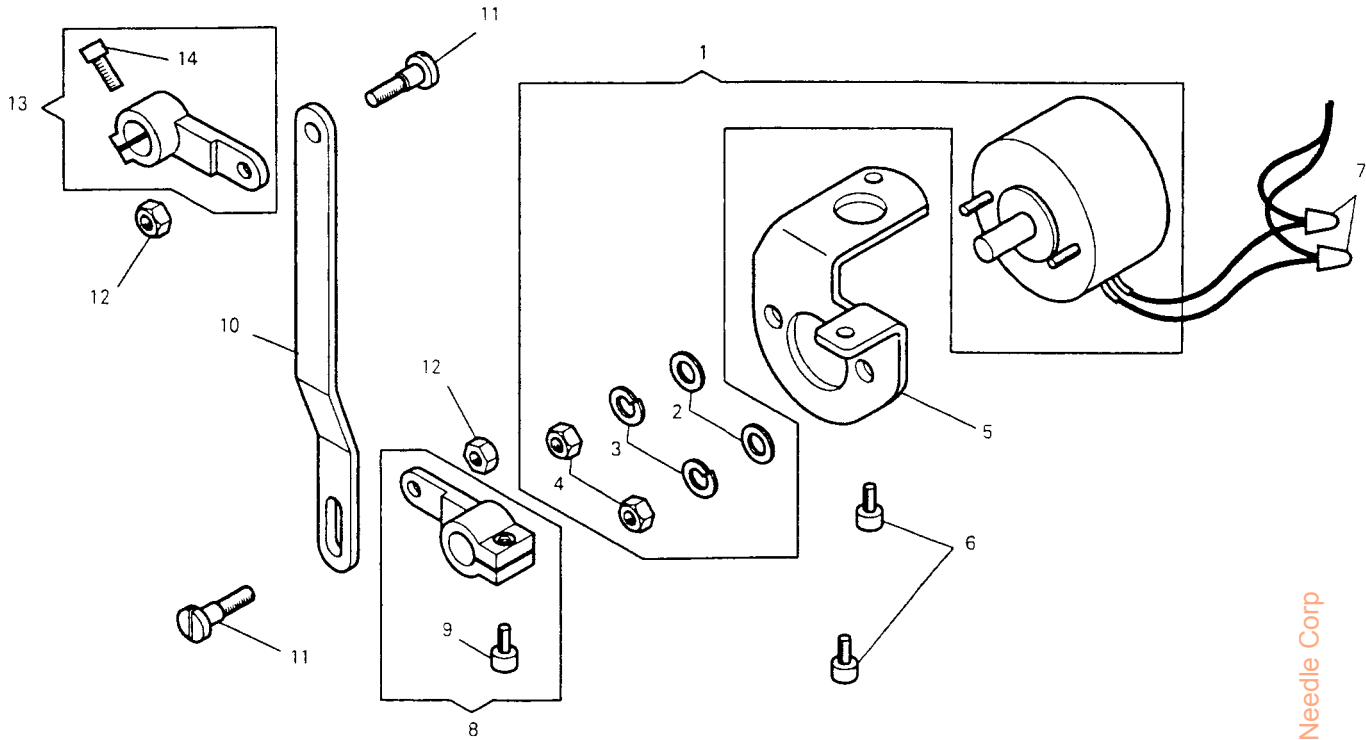
TENSION RELEASING



| NO. | PART NO. | QTY | | | DESCRIPTION |
|-----|------------|------|------|------|--|
| | | 939A | 939J | 939K | |
| 1 | 552593 | - | * | * | 1 TENSION RELEASE DRIVING LEVER STOPPER |
| 2 | 552594 | - | * | * | 1 TENSION RELEASE DRIVING LEVER STOPPER RETAINING PLATE |
| 3 | 414780 | - | * | * | 2 TENSION RELEASE DRIVING LEVER STOPPER SCREW |
| 4 | 552595 | - | * | * | 1 TENSION RELEASE WIRE GUIDE, TUBE COMPLETE |
| 5 | 541166-003 | - | * | * | 2 TENSION RELEASE WIRE STAKING PIPE LOCK NUT |
| 6 | 543327 | - | * | * | 1 TENSION RELEASE WIRE GUIDE TUBE CLAMPING PLATE (UPPER) |
| 7 | 504010-452 | - | * | * | 2 TENSION RELEASE WIRE GUIDE TUBE CLAMPING PLATE (UPPER) SCREW |
| 8 | 543327 | - | * | * | 1 TENSION RELEASE WIRE GUIDE TUBE CLAMPING PLATE (LOWER) |
| 9 | 504010-452 | - | * | * | 2 TENSION RELEASE WIRE GUIDE TUBE CLAMPING PLATE (LOWER) SCREW |
| 10 | 544144 | - | * | * | 1 TENSION RELEASE WIRE SHEAVE SCREW |
| 11 | 552601 | - | * | * | 1 TENSION RELEASE LEVER BRACKET |
| 12 | 552602 | - | * | * | 1 TENSION RELEASE LEVER |
| 13 | 552603 | - | * | * | 1 TENSION RELEASE LEVER PIN |
| 14 | 552604 | - | * | * | 1 TENSION RELEASE LEVER BLOCK |
| 15 | 544256 | - | * | * | 1 TENSION RELEASE LEVER BLOCK SCREW |
| 16 | 552605 | - | * | * | 1 TENSION RELEASE LEVER LINK |
| 17 | 368247 | - | * | * | 2 TENSION RELEASE LEVER LINK HINGE SCREW |
| 18 | 552606 | - | * | * | 1 TENSION RELEASE ACTUATING SLIDE PLATE |
| 19 | 368247 | - | * | * | 2 TENSION RELEASE ACTUATING SLIDE PLATE HINGE SCREW |
| 20 | 544213-052 | - | * | * | 2 TENSION RELEASE LEVER BRACKET SCREW |
| 21 | 281593 | - | * | * | 1 TENSION RELEASE ACTUATING SLIDE PLATE SPRING |

| NO. | PART NO. | QTY | | | DESCRIPTION |
|-----|------------|------|------|------|--|
| | | 939A | 939J | 939K | |
| 22 | 540899 | - | * | * | 2 TENSION RELEASE WIRE GUIDE TUBE RETAINER |
| 23 | 554833 | - | * | * | 1 TENSION RELEASE WIRE GUIDE TUBE SUPPRT |
| 24 | 544213-002 | - | * | * | 1 TENSION RELEASE WIRE GUIDE TUBE SUPPRT SCREW |

BACK TACK MECHANISM

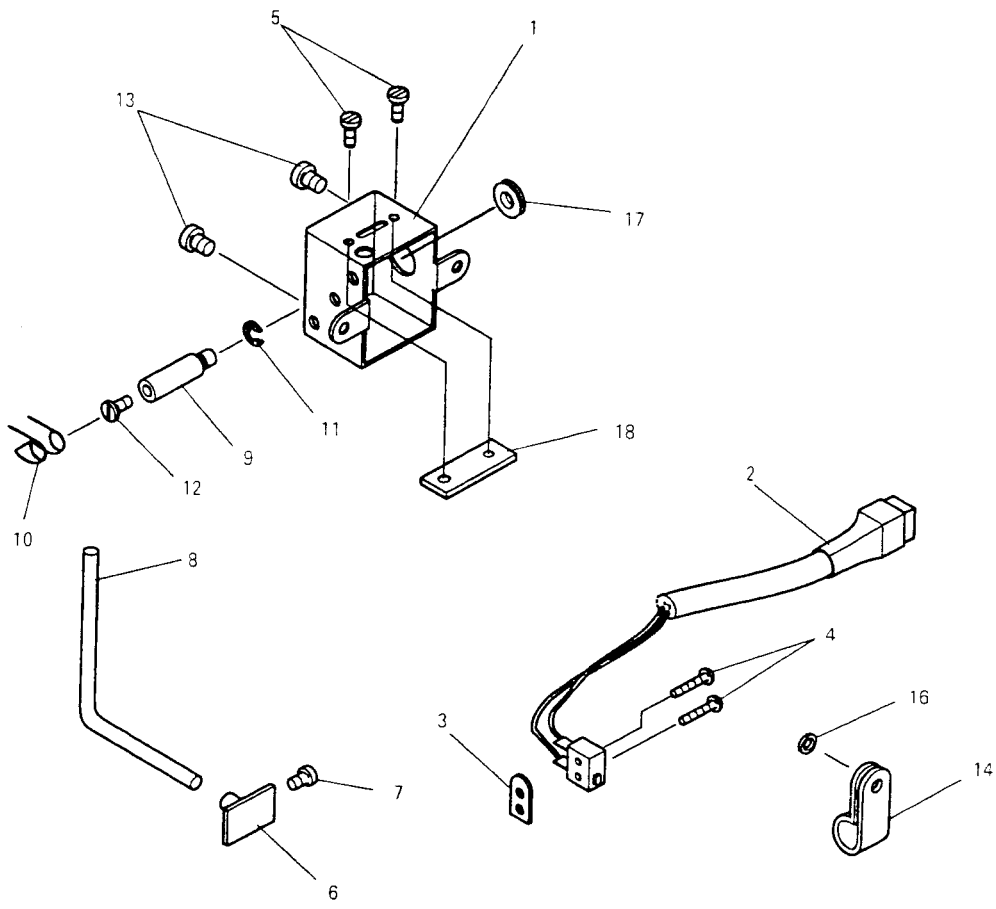


| NO. | PART NO. | 939A | 939J | 939K | QTY | DESCRIPTION |
|-----|------------|------|------|------|-----|---|
| 1 | 369335 | - | - | * | 1 | BACK TACK SOLENOID COMPLETE |
| 2 | 543804-005 | - | - | * | 2 | BACK TACK SOLENOID WASHER |
| 3 | 543805-005 | - | - | * | 2 | BACK TACK SOLENOID SPRING WASHER |
| 4 | 541167-003 | - | - | * | 2 | BACK TACK SOLENOID NUT |
| 5 | 552609 | - | - | * | 1 | BACK TACK SOLENOID BRACKET |
| 6 | 374108-010 | - | - | * | 2 | BACK TACK SOLENOID BRACKET SCREW |
| 7 | 417142-001 | - | - | * | 2 | BACK TACK SOLENOID WIRE CONNECTOR |
| 8 | 554980 | - | - | * | 1 | BACK TACK SOLENOID ARM COMPLETE |
| 9 | 414750-002 | - | - | * | 1 | BACK TACK SOLENOID ARM PINCH SCREW |
| 10 | 552612 | - | - | * | 1 | BACK TACK SOLENOID LINK |
| 11 | 374546 | - | - | * | 2 | BACK TACK SOLENOID LINK HINGE SCREW |
| 12 | 545422 | - | - | * | 2 | BACK TACK SOLENOID LINK HINGE SCREW NUT |
| 13 | 552613 | - | - | * | 1 | FEED REVERSE LEVER SHAFT |
| 14 | 374107-004 | - | - | * | 1 | ACTUATING ARM COMPLETE FEED REVERSE LEVER SHAFT ACTUATING ARM PINCH SCREW |

| NO. | PART NO. | 939A | 939J | 939K | QTY | DESCRIPTION |
|-----|----------|------|------|------|-----|-------------|
| | | | | | | |
| | | | | | | |
| | | | | | | |
| | | | | | | |
| | | | | | | |
| | | | | | | |
| | | | | | | |
| | | | | | | |
| | | | | | | |

From the library of Diamond Needle Corp

BACK TACK SWITCH

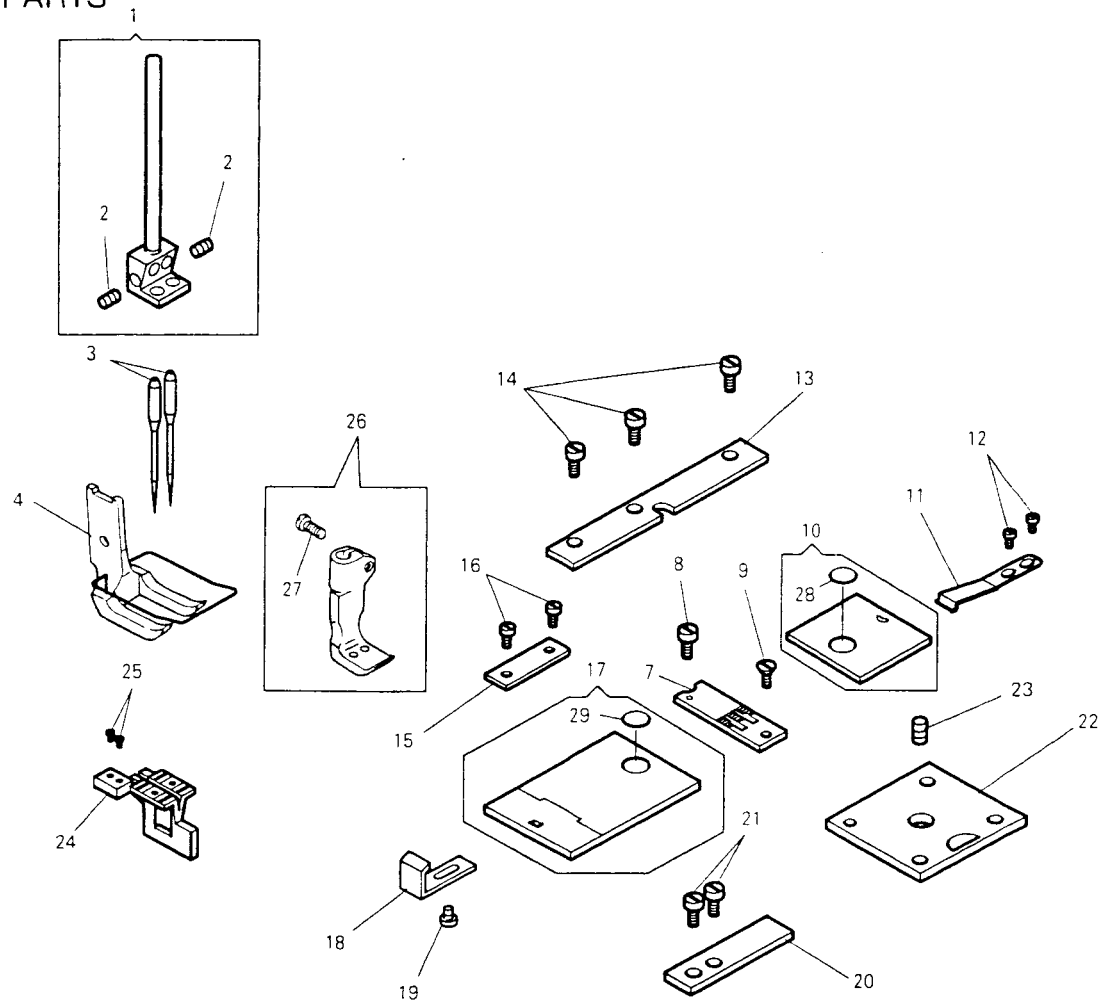


| NO. | PART NO. | 939A | 939J | 939K | QTY | DESCRIPTION |
|-----|------------|------|------|------|-----|--|
| 1 | 552616 | - | - | * | 1 | BACK TACK SWITCH BOX |
| 2 | 419125 | - | - | * | 1 | BACK TACK SWITCH CORD, CONNECTOR COMP. |
| 3 | 368467 | - | - | * | 1 | BACK TACK SWITCH PLATE |
| 4 | 544211-056 | - | - | * | 2 | BACK TACK SWITCH PLATE SCREW |
| 5 | 544211-001 | - | - | * | 2 | BACK TACK SWITCH BOX COVER SCREW |
| 6 | 376146 | - | - | * | 1 | BACK TACK SWITCH LEVER BUTTON |
| 7 | 374110-002 | - | - | * | 1 | BACK TACK SWITCH LEVER BUTTON SCREW |
| 8 | 552618 | - | - | * | 1 | BACK TACK SWITCH LEVER |
| 9 | 375733 | - | - | * | 1 | BACK TACK SWITCH LEVER SHAFT |
| 10 | 375732 | - | - | * | 1 | BACK TACK SWITCH LEVER SPRING |
| 11 | 543801-015 | - | - | * | 1 | BACK TACK SWITCH LEVER SHAFT SNAP RING |
| 12 | 545246-452 | - | - | * | 1 | BACK TACK SWITCH LEVER SCREW |
| 13 | 544217-052 | - | - | * | 2 | BACK TACK SWITCH BOX SCREW |
| 14 | 542766-005 | - | - | * | 1 | BACK TACK SWITCH CORD CLIP |
| 16 | 543803-002 | - | - | * | 1 | BACK TACK SWITCH CORD CLIP WASHER |
| 17 | 554884 | - | - | * | 1 | BACK TACK SWITCH BOX GROMMETS |
| 18 | 552784 | - | - | * | 1 | BACK TACK SWITCH BOX COVER |

| NO. | PART NO. | 939A | 939J | 939K | QTY | DESCRIPTION |
|-----|----------|------|------|------|-----|-------------|
| | | | | | | |
| | | | | | | |
| | | | | | | |
| | | | | | | |
| | | | | | | |
| | | | | | | |
| | | | | | | |
| | | | | | | |
| | | | | | | |
| | | | | | | |

From the library of: Diamond Needle Corp

GAUGE PARTS



| NO | PART NO. | 939A | 939J | 939K | QTY | DESCRIPTION |
|----|------------|------|------|------|-----|---|
| 1 | 412484-008 | * | * | * | 1 | NEEDLE BAR COMP (1/8", 3.2mm) |
| 1 | 412484-012 | * | * | * | 1 | NEEDLE BAR COMP (3/16", 4.8mm) (STANDARD) |
| 1 | 412484-016 | * | * | * | 1 | NEEDLE BAR COMP (1/4", 6.4mm) (STANDARD) |
| 1 | 412484-020 | * | * | * | 1 | NEEDLE BAR COMP (5/16", 7.9mm) |
| 1 | 412484-024 | * | * | * | 1 | NEEDLE BAR COMP (3/8", 9.5mm) |
| 2 | 374456 | * | * | * | 2 | NEEDLE SET SCREW |
| 3 | N33550-120 | * | * | * | 2 | NEEDLE (CAT. NO 3355-01 #20) |
| 4 | 554910-008 | * | * | * | 1 | LIFTING PRESSER FOOT (1/8", 3.2mm) |
| 4 | 554910-012 | * | * | * | 1 | LIFTING PRESSER FOOT (3/16", 4.8mm) (STANDARD) |
| 4 | 554910-016 | * | * | * | 1 | LIFTING PRESSER FOOT (1/4", 6.4mm) (STANDARD) |
| 4 | 555045-020 | * | * | * | 1 | LIFTING PRESSER FOOT (5/16", 7.9mm) |
| 4 | 555045-024 | * | * | * | 1 | LIFTING PRESSER FOOT (3/8", 9.5mm) |
| 7 | 412039-008 | * | * | * | 1 | THROAT PLATE (1/8", 3.2mm) |
| 7 | 412039-012 | * | * | * | 1 | THROAT PLATE (3/16", 4.8mm) (STANDARD) |
| 7 | 412039-016 | * | * | * | 1 | THROAT PLATE (1/4", 6.4mm) (STANDARD) |
| 7 | 412039-020 | * | * | * | 1 | THROAT PLATE (5/16", 7.9mm) |
| 7 | 412039-024 | * | * | * | 1 | THROAT PLATE (3/8", 9.5mm) |
| 7 | 555074-008 | * | * | * | 1 | THROAT PLATE (1/8", 3.2mm) |
| 7 | 555074-012 | * | * | * | 1 | THROAT PLATE (3/16", 4.8mm) (STANDARD) |
| 7 | 555074-016 | * | * | * | 1 | THROAT PLATE (1/4", 6.4mm) (STANDARD) |
| 7 | 555074-020 | * | * | * | 1 | THROAT PLATE (5/16", 7.9mm) |
| 7 | 555074-024 | * | * | * | 1 | THROAT PLATE (3/8", 9.5mm) |
| 8 | 544382-452 | * | * | * | 1 | THROAT PLATE CLAMP SCREW |
| 9 | 691-845 | * | * | * | 1 | THROAT PLATE SCREW |
| 10 | 552814 | * | * | * | 1 | BED SLIDE (RIGHT) COMP (1/8", 3/16", 1/4", 5/16", 3/8") |
| 11 | 552419 | * | * | * | 1 | BED SLIDE (RIGHT) SPRING PLATE |
| 12 | 544269 | * | * | * | 2 | BED SLIDE (RIGHT) SPRING PLATE SCREW |
| 13 | 554453 | * | * | * | 1 | BED COVER PLATE (RIGHT) |

| NO | PART NO. | 939A | 939J | 939K | QTY | DESCRIPTION |
|----|------------|------|------|------|-----|---|
| 14 | 545137 | * | * | * | 3 | BED COVER PLATE (RIGHT) SCREW |
| 15 | 554651 | * | * | * | 1 | BED COVER PLATE |
| 16 | 414659 | * | * | * | 2 | BED COVER PLATE SCREW |
| 17 | 554615 | * | * | * | 1 | BED SLIDE (LEFT) COMP. (1/8", 3/16", 1/4", 5/16", 3/8") |
| 18 | 554476 | * | * | * | 1 | BED SLIDE (LEFT) SPRING PLATE |
| 19 | 544217-052 | * | * | * | 1 | BED SLIDE (LEFT) SPRING PLATE SCREW |
| 20 | 554801 | * | * | * | 1 | BED COVER PLATE (LEFT) |
| 21 | 545137 | * | * | * | 2 | BED COVER PLATE (LEFT) SCREW |
| 22 | 416756-452 | * | * | * | 1 | ATTACHMENT SLIDE PLATE |
| 22 | 281072 | * | * | * | 1 | ATTACHMENT SLIDE PLATE |
| 23 | 544389 | * | * | * | 1 | ATTACHMENT SLIDE PLATE LOCK SCREW |
| 24 | 555069-008 | * | * | * | 1 | FEED DOG (1/8", 3.2mm) |
| 24 | 555070-012 | * | * | * | 1 | FEED DOG (3/16", 4.8mm) (STANDARD) |
| 24 | 554928-016 | * | * | * | 1 | FEED DOG (1/4", 6.4mm) (STANDARD) |
| 24 | 554928-020 | * | * | * | 1 | FEED DOG (5/16", 7.9mm) |
| 24 | 554928-024 | * | * | * | 1 | FEED DOG (3/8", 9.5mm) |
| 24 | 555071-008 | * | * | * | 1 | FEED DOG (1/8", 3.2mm) |
| 24 | 555072-012 | * | * | * | 1 | FEED DOG (3/16", 4.8mm) (STANDARD) |
| 24 | 554929-016 | * | * | * | 1 | FEED DOG (1/4", 6.4mm) (STANDARD) |
| 24 | 554929-020 | * | * | * | 1 | FEED DOG (5/16", 7.9mm) |
| 24 | 554929-024 | * | * | * | 1 | FEED DOG (3/8", 9.5mm) |
| 25 | 544399 | * | * | * | 2 | FEED DOG SCREW |
| 26 | 416702-008 | * | * | * | 1 | VIBRATING PRESSER FOOT COMP. (1/8", 3.2mm) |
| 26 | 416702-012 | * | * | * | 1 | VIBRATING PRESSER FOOT COMP. (3/16", 4.8mm) (STANDARD) |
| 26 | 416702-016 | * | * | * | 1 | VIBRATING PRESSER FOOT COMP. (1/4", 6.4mm) (STANDARD) |
| 26 | 416703-020 | * | * | * | 1 | VIBRATING PRESSER FOOT COMP. (5/16", 7.9mm) |
| 26 | 416703-024 | * | * | * | 1 | VIBRATING PRESSER FOOT COMP. (3/8", 9.5mm) |
| 27 | 549104 | * | * | * | 1 | VIBRATING PRESSER FOOT PINCH SCREW |
| 28 | 552416 | * | * | * | 1 | THROAT PLATE WINDOW |
| 29 | 552416 | * | * | * | 1 | THROAT PLATE WINDOW |

From the library of: Diamond Needle Corp

From the library of: Diamond Needle Corp